

YTO110 亞標半密式同步帶驅動型

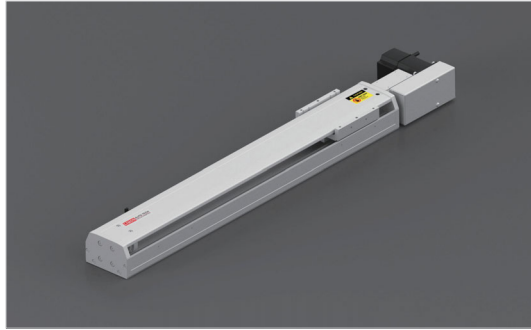
Belt Driven Linear Actuator

訂購型號代碼 Code

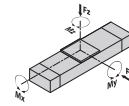
YTO110 - 500 - 4P - D01 - DB - M40 - P3 - A001

| | | | | | | | |
|----------------------|--|--------------------------------------|--|--|--|---|-------------------------------|
| 本體型號 Item NO. | 行程 Stroke 100-1500 每50為一級 | 直線導軌滑塊數量 Block Quantity 4P | 馬達方向 Motor Mounting Position D01 D02 D03 D04 D05 D06 D07 D08 D09 | 輔助滑塊 Auxiliary Block DB - 輔助滑塊 | 馬達品牌、功率 Motor Brand、Power Output M 三菱 Mitsubishi 10 - P 松下 Panasonic 20 200W Y 安川 Yaskawa 40 400W D 台達 Delta 75 - 1K - | 限位滑塊數量 Photoelectric Sensor P1: 1只 1PC P2: 2只 2PCS P3: 3只 3PCS No Mark/No Sensor | 特注式樣 Special Order No. |
|----------------------|--|--------------------------------------|--|--|--|---|-------------------------------|

注：輔助滑塊選項相關參數參見樣本P122。



最大動態力和力矩 Max. Permissible Forces And Torques

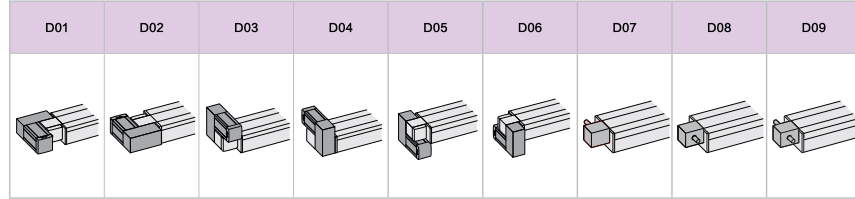


| Type | 4P |
|-------------|------|
| ■F(y) (N) | 3427 |
| ■F(z) (N) | 3427 |
| ■M(x) (N·m) | 98 |
| ■M(y) (N·m) | 40 |
| ■M(z) (N·m) | 176 |

除了滿足最大負載和力矩外，還必須滿足以下公式：
All forces and torques relate to the following:

$$\frac{F_y}{F_{y\max}} + \frac{F_z}{F_{z\max}} + \frac{M_x}{M_{x\max}} + \frac{M_y}{M_{y\max}} + \frac{M_z}{M_{z\max}} \leq 1$$

馬達安裝方向 Motor Mounting Position Version



基本規格 Basic Specification

| YTO110 | | 4P(每軌滑塊數量) Block Quantity |
|-----------------------------|--|--|
| 技術參數 | 位置重複精度 Repetitive Accuracy (mm) | ±0.05 |
| | 皮帶輪導程 Pulley Lead (mm) | 80/40 #E2/PMS002 |
| | 皮帶型號 Belt Type | 5M-15 |
| | 最高速度 Maximum Speed (mm/s) | 2000 |
| Technical Parameters | 最大可搬重量 Max. Payload (kg) | 20 水平使用 Horizontal 10 垂直使用 Vertical |
| | 最大空載扭矩 Max. No-load Driving Torque (N·m) | 0.3 |
| | 最大扭矩 Max. Driving Torque (N·m) | 6 |
| 基本規格 | 標準行程 Stroke (mm) | 100-1550 mm/ 50 Pitch |
| | AC伺服馬達功率 AC Servo Motor Output (W) | 400 |
| Basic Specification | 高剛性直線導軌 Linear Guide (mm) | 12# x 2 PCS |
| | 主軌截面積最大外形 Max. Outline of Main Engine's Cross Section (mm) | 102 x 70 |
| | 原點感應器 Home Sensor | EE-SX672(NPN) |

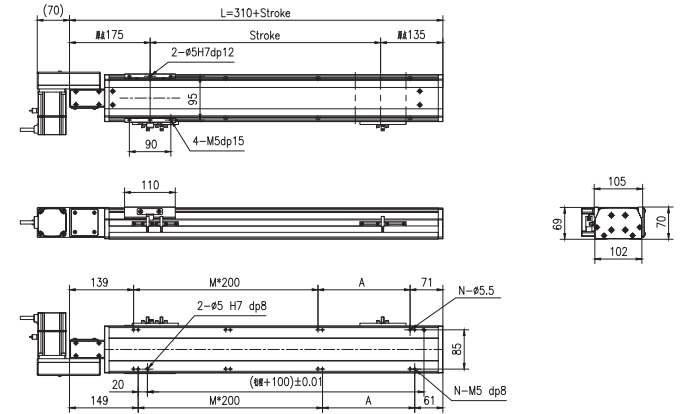
#注1: 測定條件為無力矩的理論數據，根據力矩和加速度數據會相應改變，具體請參考選型軟件。
#注2: 皮帶輪原始導程為80mm，標準品默認附減速機構，減速後導程為40mm。
Note 1: Data changes relevantly according to different torque and accelerated speed. Please refer to the LIMON calculate software.
Note 2: Pulley's original lead is 80mm, which standard type is equipped with reduction facility normally, and the lead is 40mm after deceleration.

亞標半密式同步帶驅動型 YTO110

Belt Driven Linear Actuator

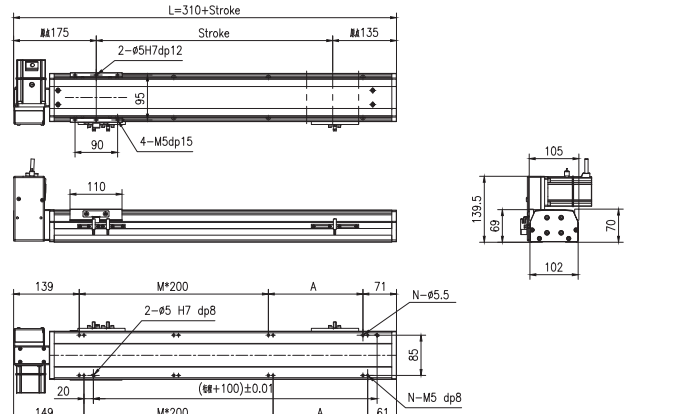


YTO110-4P-D01



| 行程 Stroke (mm) | 100 | 150 | 200 | 250 | 300 | 350 | 400 | 450 | 500 | 550 | 600 | 650 | 700 | 750 | 800 |
|----------------|------|------|------|------|------|------|------|------|------|------|------|------|------|------|------|
| L | 410 | 460 | 510 | 560 | 610 | 660 | 710 | 760 | 810 | 860 | 910 | 960 | 1010 | 1060 | 1110 |
| A | 200 | 50 | 100 | 150 | 200 | 50 | 100 | 150 | 200 | 50 | 100 | 150 | 200 | 50 | 100 |
| M | 0 | 1 | 1 | 1 | 1 | 2 | 2 | 2 | 2 | 3 | 3 | 3 | 3 | 4 | 4 |
| N | 4 | 6 | 6 | 6 | 6 | 8 | 8 | 8 | 8 | 10 | 10 | 10 | 10 | 12 | 12 |
| 重量 Weight (kg) | 4.5 | 4.8 | 5.1 | 5.4 | 5.7 | 6 | 6.3 | 6.6 | 6.9 | 7.2 | 7.5 | 7.8 | 8.1 | 8.4 | 8.7 |
| 行程 Stroke (mm) | 850 | 900 | 950 | 1000 | 1050 | 1100 | 1150 | 1200 | 1250 | 1300 | 1350 | 1400 | 1450 | 1500 | 1550 |
| L | 1160 | 1210 | 1260 | 1310 | 1360 | 1410 | 1460 | 1510 | 1560 | 1610 | 1660 | 1710 | 1760 | 1810 | 1860 |
| A | 150 | 200 | 50 | 100 | 150 | 200 | 50 | 100 | 150 | 200 | 50 | 100 | 150 | 200 | 50 |
| M | 4 | 4 | 5 | 5 | 5 | 5 | 6 | 6 | 6 | 6 | 7 | 7 | 7 | 7 | 8 |
| N | 12 | 12 | 14 | 14 | 14 | 14 | 16 | 16 | 16 | 16 | 18 | 18 | 18 | 18 | 20 |
| 重量 Weight (kg) | 9 | 9.3 | 9.6 | 9.9 | 10.2 | 10.5 | 10.8 | 11.1 | 11.4 | 11.7 | 12 | 12.3 | 12.6 | 12.9 | 13.2 |

YTO110-4P-D02

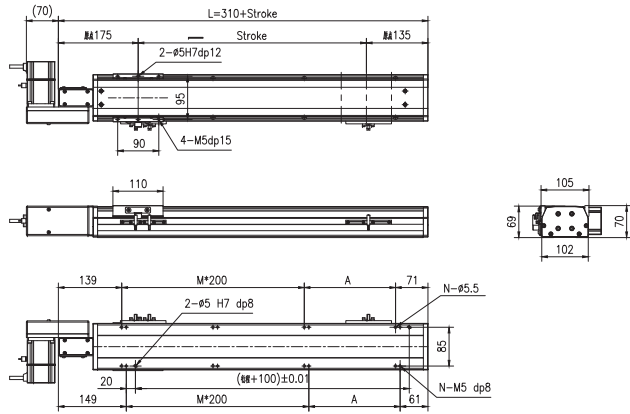


| 行程 Stroke (mm) | 100 | 150 | 200 | 250 | 300 | 350 | 400 | 450 | 500 | 550 | 600 | 650 | 700 | 750 | 800 |
|----------------|------|------|------|------|------|------|------|------|------|------|------|------|------|------|------|
| L | 410 | 460 | 510 | 560 | 610 | 660 | 710 | 760 | 810 | 860 | 910 | 960 | 1010 | 1060 | 1110 |
| A | 200 | 50 | 100 | 150 | 200 | 50 | 100 | 150 | 200 | 50 | 100 | 150 | 200 | 50 | 100 |
| M | 0 | 1 | 1 | 1 | 1 | 2 | 2 | 2 | 2 | 3 | 3 | 3 | 3 | 4 | 4 |
| N | 4 | 6 | 6 | 6 | 6 | 8 | 8 | 8 | 8 | 10 | 10 | 10 | 10 | 12 | 12 |
| 重量 Weight (kg) | 4.5 | 4.8 | 5.1 | 5.4 | 5.7 | 6 | 6.3 | 6.6 | 6.9 | 7.2 | 7.5 | 7.8 | 8.1 | 8.4 | 8.7 |
| 行程 Stroke (mm) | 850 | 900 | 950 | 1000 | 1050 | 1100 | 1150 | 1200 | 1250 | 1300 | 1350 | 1400 | 1450 | 1500 | 1550 |
| L | 1160 | 1210 | 1260 | 1310 | 1360 | 1410 | 1460 | 1510 | 1560 | 1610 | 1660 | 1710 | 1760 | 1810 | 1860 |
| A | 150 | 200 | 50 | 100 | 150 | 200 | 50 | 100 | 150 | 200 | 50 | 100 | 150 | 200 | 50 |
| M | 4 | 4 | 5 | 5 | 5 | 5 | 6 | 6 | 6 | 6 | 7 | 7 | 7 | 7 | 8 |
| N | 12 | 12 | 14 | 14 | 14 | 14 | 16 | 16 | 16 | 16 | 18 | 18 | 18 | 18 | 20 |
| 重量 Weight (kg) | 9 | 9.3 | 9.6 | 9.9 | 10.2 | 10.5 | 10.8 | 11.1 | 11.4 | 11.7 | 12 | 12.3 | 12.6 | 12.9 | 13.2 |

YTO110 亞標半密式同步帶驅動型

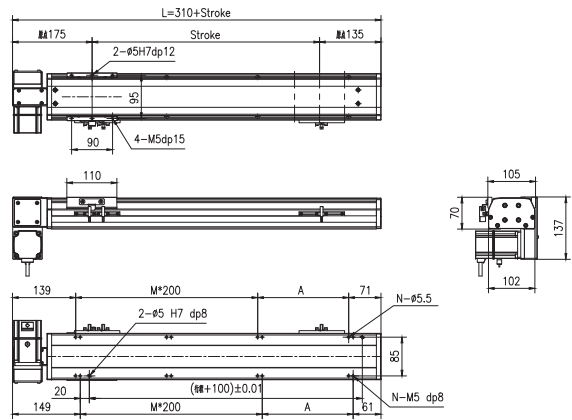
Belt Driven Linear Actuator

YTO110-4P-D03



| | | | | | | | | | | | | | | | |
|----------------|------|------|------|------|------|------|------|------|------|------|------|------|------|------|------|
| 行程 Stroke (mm) | 100 | 150 | 200 | 250 | 300 | 350 | 400 | 450 | 500 | 550 | 600 | 650 | 700 | 750 | 800 |
| L | 410 | 460 | 510 | 560 | 610 | 660 | 710 | 760 | 810 | 860 | 910 | 960 | 1010 | 1060 | 1110 |
| A | 200 | 50 | 100 | 150 | 200 | 50 | 100 | 150 | 200 | 50 | 100 | 150 | 200 | 50 | 100 |
| M | 0 | 1 | 1 | 1 | 1 | 2 | 2 | 2 | 2 | 3 | 3 | 3 | 3 | 4 | 4 |
| N | 4 | 6 | 6 | 6 | 6 | 8 | 8 | 8 | 8 | 10 | 10 | 10 | 10 | 10 | 12 |
| 重量 Weight (kg) | 4.5 | 4.8 | 5.1 | 5.4 | 5.7 | 6 | 6.3 | 6.6 | 6.9 | 7.2 | 7.5 | 7.8 | 8.1 | 8.4 | 8.7 |
| 行程 Stroke (mm) | 850 | 900 | 950 | 1000 | 1050 | 1100 | 1150 | 1200 | 1250 | 1300 | 1350 | 1400 | 1450 | 1500 | 1550 |
| L | 1160 | 1210 | 1260 | 1310 | 1360 | 1410 | 1460 | 1510 | 1560 | 1610 | 1660 | 1710 | 1760 | 1810 | 1860 |
| A | 150 | 200 | 50 | 100 | 150 | 200 | 50 | 100 | 150 | 200 | 50 | 100 | 150 | 200 | 50 |
| M | 4 | 4 | 5 | 5 | 5 | 5 | 6 | 6 | 6 | 6 | 7 | 7 | 7 | 7 | 8 |
| N | 12 | 12 | 14 | 14 | 14 | 14 | 16 | 16 | 16 | 16 | 18 | 18 | 18 | 18 | 20 |
| 重量 Weight (kg) | 9 | 9.3 | 9.6 | 9.9 | 10.2 | 10.5 | 10.8 | 11.1 | 11.4 | 11.7 | 12 | 12.3 | 12.6 | 12.9 | 13.2 |

YTO110-4P-D04

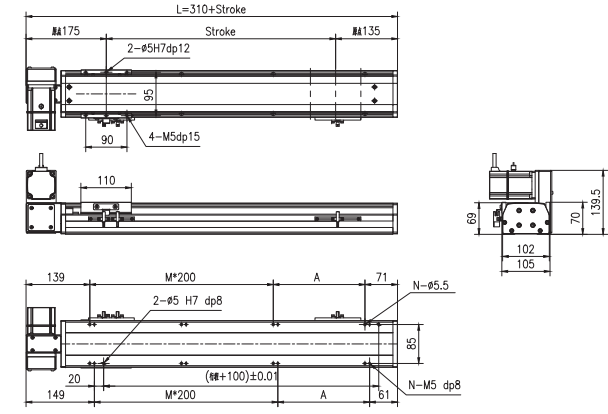
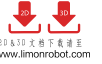


| | | | | | | | | | | | | | | | |
|----------------|------|------|------|------|------|------|------|------|------|------|------|------|------|------|------|
| 行程 Stroke (mm) | 100 | 150 | 200 | 250 | 300 | 350 | 400 | 450 | 500 | 550 | 600 | 650 | 700 | 750 | 800 |
| L | 410 | 460 | 510 | 560 | 610 | 660 | 710 | 760 | 810 | 860 | 910 | 960 | 1010 | 1060 | 1110 |
| A | 200 | 50 | 100 | 150 | 200 | 50 | 100 | 150 | 200 | 50 | 100 | 150 | 200 | 50 | 100 |
| M | 0 | 1 | 1 | 1 | 1 | 2 | 2 | 2 | 2 | 3 | 3 | 3 | 3 | 4 | 4 |
| N | 4 | 6 | 6 | 6 | 6 | 8 | 8 | 8 | 8 | 10 | 10 | 10 | 10 | 10 | 12 |
| 重量 Weight (kg) | 4.5 | 4.8 | 5.1 | 5.4 | 5.7 | 6 | 6.3 | 6.6 | 6.9 | 7.2 | 7.5 | 7.8 | 8.1 | 8.4 | 8.7 |
| 行程 Stroke (mm) | 850 | 900 | 950 | 1000 | 1050 | 1100 | 1150 | 1200 | 1250 | 1300 | 1350 | 1400 | 1450 | 1500 | 1550 |
| L | 1160 | 1210 | 1260 | 1310 | 1360 | 1410 | 1460 | 1510 | 1560 | 1610 | 1660 | 1710 | 1760 | 1810 | 1860 |
| A | 150 | 200 | 50 | 100 | 150 | 200 | 50 | 100 | 150 | 200 | 50 | 100 | 150 | 200 | 50 |
| M | 4 | 4 | 5 | 5 | 5 | 5 | 6 | 6 | 6 | 6 | 7 | 7 | 7 | 7 | 8 |
| N | 12 | 12 | 14 | 14 | 14 | 14 | 16 | 16 | 16 | 16 | 18 | 18 | 18 | 18 | 20 |
| 重量 Weight (kg) | 9 | 9.3 | 9.6 | 9.9 | 10.2 | 10.5 | 10.8 | 11.1 | 11.4 | 11.7 | 12 | 12.3 | 12.6 | 12.9 | 13.2 |

亞標半密式同步帶驅動型 YTO110

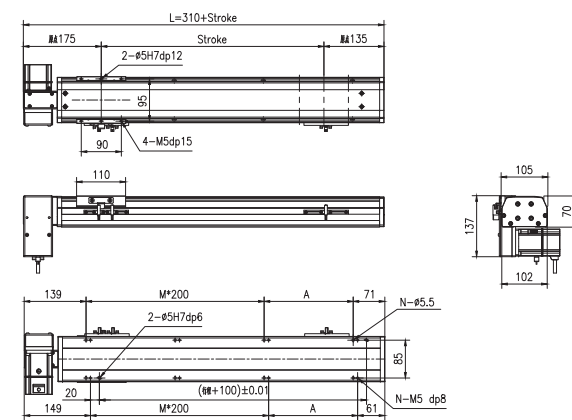
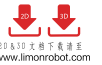
Belt Driven Linear Actuator

YTO110-4P-D05



| | | | | | | | | | | | | | | | |
|----------------|------|------|------|------|------|------|------|------|------|------|------|------|------|------|------|
| 行程 Stroke (mm) | 100 | 150 | 200 | 250 | 300 | 350 | 400 | 450 | 500 | 550 | 600 | 650 | 700 | 750 | 800 |
| L | 410 | 460 | 510 | 560 | 610 | 660 | 710 | 760 | 810 | 860 | 910 | 960 | 1010 | 1060 | 1110 |
| A | 200 | 50 | 100 | 150 | 200 | 50 | 100 | 150 | 200 | 50 | 100 | 150 | 200 | 50 | 100 |
| M | 0 | 1 | 1 | 1 | 1 | 2 | 2 | 2 | 2 | 3 | 3 | 3 | 3 | 4 | 4 |
| N | 4 | 6 | 6 | 6 | 6 | 8 | 8 | 8 | 8 | 10 | 10 | 10 | 10 | 10 | 12 |
| 重量 Weight (kg) | 4.5 | 4.8 | 5.1 | 5.4 | 5.7 | 6 | 6.3 | 6.6 | 6.9 | 7.2 | 7.5 | 7.8 | 8.1 | 8.4 | 8.7 |
| 行程 Stroke (mm) | 850 | 900 | 950 | 1000 | 1050 | 1100 | 1150 | 1200 | 1250 | 1300 | 1350 | 1400 | 1450 | 1500 | 1550 |
| L | 1160 | 1210 | 1260 | 1310 | 1360 | 1410 | 1460 | 1510 | 1560 | 1610 | 1660 | 1710 | 1760 | 1810 | 1860 |
| A | 150 | 200 | 50 | 100 | 150 | 200 | 50 | 100 | 150 | 200 | 50 | 100 | 150 | 200 | 50 |
| M | 4 | 4 | 5 | 5 | 5 | 5 | 6 | 6 | 6 | 6 | 7 | 7 | 7 | 7 | 8 |
| N | 12 | 12 | 14 | 14 | 14 | 14 | 16 | 16 | 16 | 16 | 18 | 18 | 18 | 18 | 20 |
| 重量 Weight (kg) | 9 | 9.3 | 9.6 | 9.9 | 10.2 | 10.5 | 10.8 | 11.1 | 11.4 | 11.7 | 12 | 12.3 | 12.6 | 12.9 | 13.2 |

YTO110-4P-D06

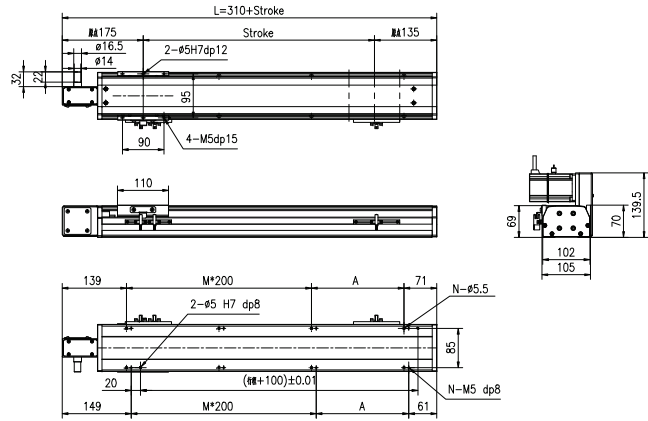


| | | | | | | | | | | | | | | | |
|----------------|------|------|------|------|------|------|------|------|------|------|------|------|------|------|------|
| 行程 Stroke (mm) | 100 | 150 | 200 | 250 | 300 | 350 | 400 | 450 | 500 | 550 | 600 | 650 | 700 | 750 | 800 |
| L | 410 | 460 | 510 | 560 | 610 | 660 | 710 | 760 | 810 | 860 | 910 | 960 | 1010 | 1060 | 1110 |
| A | 200 | 50 | 100 | 150 | 200 | 50 | 100 | 150 | 200 | 50 | 100 | 150 | 200 | 50 | 100 |
| M | 0 | 1 | 1 | 1 | 1 | 2 | 2 | 2 | 2 | 3 | 3 | 3 | 3 | 4 | 4 |
| N | 4 | 6 | 6 | 6 | 6 | 8 | 8 | 8 | 8 | 10 | 10 | 10 | 10 | 10 | 12 |
| 重量 Weight (kg) | 4.5 | 4.8 | 5.1 | 5.4 | 5.7 | 6 | 6.3 | 6.6 | 6.9 | 7.2 | 7.5 | 7.8 | 8.1 | 8.4 | 8.7 |
| 行程 Stroke (mm) | 850 | 900 | 950 | 1000 | 1050 | 1100 | 1150 | 1200 | 1250 | 1300 | 1350 | 1400 | 1450 | 1500 | 1550 |
| L | 1160 | 1210 | 1260 | 1310 | 1360 | 1410 | 1460 | 1510 | 1560 | 1610 | 1660 | 1710 | 1760 | 1810 | 1860 |
| A | 150 | 200 | 50 | 100 | 150 | 200 | 50 | 100 | 150 | 200 | 50 | 100 | 150 | 200 | 50 |
| M | 4 | 4 | 5 | 5 | 5 | 5 | 6 | 6 | 6 | 6 | 7 | 7 | 7 | 7 | 8 |
| N | 12 | 12 | 14 | 14 | 14 | 14 | 16 | 16 | 16 | 16 | 18 | 18 | 18 | 18 | 20 |
| 重量 Weight (kg) | 9 | 9.3 | 9.6 | 9.9 | 10.2 | 10.5 | 10.8 | 11.1 | 11.4 | 11.7 | 12 | 12.3 | 12.6 | 12.9 | 13.2 |

YTO110 亞標半密式同步帶驅動型

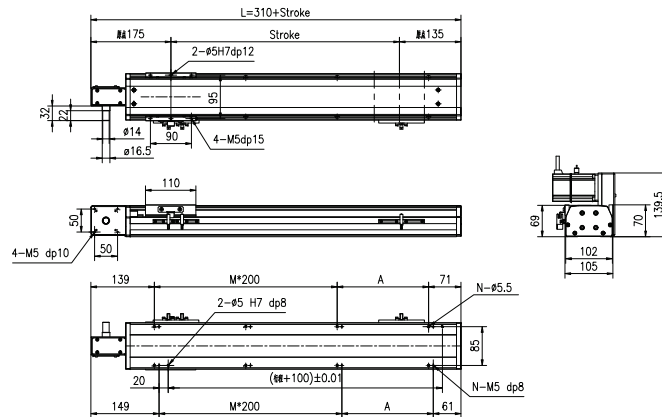
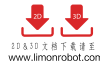
Belt Driven Linear Actuator

YTO110-4P-D07



| 行程 Stroke (mm) | 100 | 150 | 200 | 250 | 300 | 350 | 400 | 450 | 500 | 550 | 600 | 650 | 700 | 750 | 800 |
|----------------|------|------|------|------|------|------|------|------|------|------|------|------|------|------|------|
| L | 410 | 460 | 510 | 560 | 610 | 660 | 710 | 760 | 810 | 860 | 910 | 960 | 1010 | 1060 | 1110 |
| A | 200 | 50 | 100 | 150 | 200 | 50 | 100 | 150 | 200 | 50 | 100 | 150 | 200 | 50 | 100 |
| M | 0 | 1 | 1 | 1 | 1 | 2 | 2 | 2 | 2 | 3 | 3 | 3 | 3 | 4 | 4 |
| N | 4 | 6 | 6 | 6 | 6 | 8 | 8 | 8 | 8 | 10 | 10 | 10 | 10 | 12 | 12 |
| 重量 Weight (kg) | 4.5 | 4.8 | 5.1 | 5.4 | 5.7 | 6 | 6.3 | 6.6 | 6.9 | 7.2 | 7.5 | 7.8 | 8.1 | 8.4 | 8.7 |
| 行程 Stroke (mm) | 850 | 900 | 950 | 1000 | 1050 | 1100 | 1150 | 1200 | 1250 | 1300 | 1350 | 1400 | 1450 | 1500 | 1550 |
| L | 1160 | 1210 | 1260 | 1310 | 1360 | 1410 | 1460 | 1510 | 1560 | 1610 | 1660 | 1710 | 1760 | 1810 | 1860 |
| A | 150 | 200 | 50 | 100 | 150 | 200 | 50 | 100 | 150 | 200 | 50 | 100 | 150 | 200 | 50 |
| M | 4 | 4 | 4 | 5 | 5 | 5 | 6 | 6 | 6 | 6 | 7 | 7 | 7 | 7 | 8 |
| N | 12 | 12 | 14 | 14 | 14 | 14 | 16 | 16 | 16 | 16 | 18 | 18 | 18 | 18 | 20 |
| 重量 Weight (kg) | 9 | 9.3 | 9.6 | 9.9 | 10.2 | 10.5 | 10.8 | 11.1 | 11.4 | 11.7 | 12 | 12.3 | 12.6 | 12.9 | 13.2 |

YTO110-4P-D08

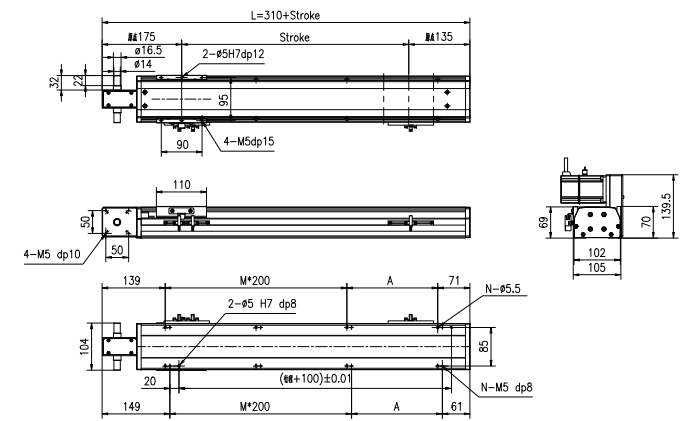
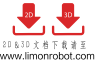


| 行程 Stroke (mm) | 100 | 150 | 200 | 250 | 300 | 350 | 400 | 450 | 500 | 550 | 600 | 650 | 700 | 750 | 800 |
|----------------|------|------|------|------|------|------|------|------|------|------|------|------|------|------|------|
| L | 410 | 460 | 510 | 560 | 610 | 660 | 710 | 760 | 810 | 860 | 910 | 960 | 1010 | 1060 | 1110 |
| A | 200 | 50 | 100 | 150 | 200 | 50 | 100 | 150 | 200 | 50 | 100 | 150 | 200 | 50 | 100 |
| M | 0 | 1 | 1 | 1 | 1 | 2 | 2 | 2 | 2 | 3 | 3 | 3 | 3 | 4 | 4 |
| N | 4 | 6 | 6 | 6 | 6 | 8 | 8 | 8 | 8 | 10 | 10 | 10 | 10 | 12 | 12 |
| 重量 Weight (kg) | 4.5 | 4.8 | 5.1 | 5.4 | 5.7 | 6 | 6.3 | 6.6 | 6.9 | 7.2 | 7.5 | 7.8 | 8.1 | 8.4 | 8.7 |
| 行程 Stroke (mm) | 850 | 900 | 950 | 1000 | 1050 | 1100 | 1150 | 1200 | 1250 | 1300 | 1350 | 1400 | 1450 | 1500 | 1550 |
| L | 1160 | 1210 | 1260 | 1310 | 1360 | 1410 | 1460 | 1510 | 1560 | 1610 | 1660 | 1710 | 1760 | 1810 | 1860 |
| A | 150 | 200 | 50 | 100 | 150 | 200 | 50 | 100 | 150 | 200 | 50 | 100 | 150 | 200 | 50 |
| M | 4 | 4 | 4 | 5 | 5 | 5 | 6 | 6 | 6 | 6 | 7 | 7 | 7 | 7 | 8 |
| N | 12 | 12 | 14 | 14 | 14 | 14 | 16 | 16 | 16 | 16 | 18 | 18 | 18 | 18 | 20 |
| 重量 Weight (kg) | 9 | 9.3 | 9.6 | 9.9 | 10.2 | 10.5 | 10.8 | 11.1 | 11.4 | 11.7 | 12 | 12.3 | 12.6 | 12.9 | 13.2 |

亞標半密式同步帶驅動型 YTO110

Belt Driven Linear Actuator

YTO110-4P-D09



| 行程 Stroke (mm) | 100 | 150 | 200 | 250 | 300 | 350 | 400 | 450 | 500 | 550 | 600 | 650 | 700 | 750 | 800 |
|----------------|------|------|------|------|------|------|------|------|------|------|------|------|------|------|------|
| L | 410 | 460 | 510 | 560 | 610 | 660 | 710 | 760 | 810 | 860 | 910 | 960 | 1010 | 1060 | 1110 |
| A | 200 | 50 | 100 | 150 | 200 | 50 | 100 | 150 | 200 | 50 | 100 | 150 | 200 | 50 | 100 |
| M | 0 | 1 | 1 | 1 | 1 | 2 | 2 | 2 | 2 | 3 | 3 | 3 | 3 | 4 | 4 |
| N | 4 | 6 | 6 | 6 | 6 | 8 | 8 | 8 | 8 | 10 | 10 | 10 | 10 | 12 | 12 |
| 重量 Weight (kg) | 4.5 | 4.8 | 5.1 | 5.4 | 5.7 | 6 | 6.3 | 6.6 | 6.9 | 7.2 | 7.5 | 7.8 | 8.1 | 8.4 | 8.7 |
| 行程 Stroke (mm) | 850 | 900 | 950 | 1000 | 1050 | 1100 | 1150 | 1200 | 1250 | 1300 | 1350 | 1400 | 1450 | 1500 | 1550 |
| L | 1160 | 1210 | 1260 | 1310 | 1360 | 1410 | 1460 | 1510 | 1560 | 1610 | 1660 | 1710 | 1760 | 1810 | 1860 |
| A | 150 | 200 | 50 | 100 | 150 | 200 | 50 | 100 | 150 | 200 | 50 | 100 | 150 | 200 | 50 |
| M | 4 | 4 | 4 | 5 | 5 | 5 | 6 | 6 | 6 | 6 | 7 | 7 | 7 | 7 | 8 |
| N | 12 | 12 | 14 | 14 | 14 | 14 | 16 | 16 | 16 | 16 | 18 | 18 | 18 | 18 | 20 |
| 重量 Weight (kg) | 9 | 9.3 | 9.6 | 9.9 | 10.2 | 10.5 | 10.8 | 11.1 | 11.4 | 11.7 | 12 | 12.3 | 12.6 | 12.9 | 13.2 |