

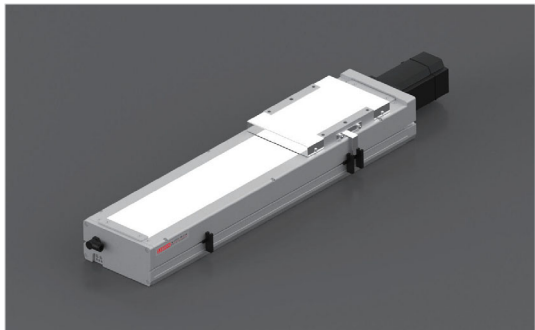
亞標全密式螺桿驅動型 Ball Screw Driven Linear Actuator

YSC 170

□ 訂購型號代碼 Code

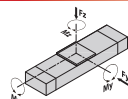
YSC170	L10	500	4P	MS	DB <small>注</small>	M40	P3	A001
本體型號 Item NO.	螺桿導程 Ball Screw Lead	行程 Stroke	直線導軌滑塊數量 Block Quantity	馬達方向 Motor Mounting Position	輔助滑塊 Auxiliary Block 米諾瓦/單滑塊 DB 輔助滑塊	馬達品牌、功率 Motor Brand、Power Output	位置檢測器數量 Photoelectric Sensor	特注式樣 Special Order No.
	05 10 20 40	100~1250 頁碼 0 4958	4P	MS: 馬達直裝安裝 Straight Motor Mounting ML: 馬達左裝安裝 Left Motor Mounting MR: 馬達右裝安裝 Right Motor Mounting MD: 馬達下裝安裝 Down Motor Mounting		M 三菱 Mitsubishi 10 - P 松下 Panasonic 20 200W Y 安川 Yaskawa 40 400W D 台達 Delta 75 750W 1K -	P1: 1只 1PC P2: 2只 2PCS P3: 3只 3PCS 無標記: 無 NoMark:NoSensor	

注: 輔助滑塊選項相關參數參見樣本P122。



最大動態力和力矩

Max. Permissible Forces And Torques



Type	4P
■ F(y) (N)	7463
■ F(z) (N)	7463
■ M(x) (N·m)	339
■ M(y) (N·m)	178
■ M(z) (N·m)	742

· 除了滿足最大負載和力矩外，還必須滿足以下公式：
All forces and torques relate to the following:

$$\frac{F_y}{F_y \max.} + \frac{F_z}{F_z \max.} + \frac{M_x}{M_x \max.} + \frac{M_y}{M_y \max.} + \frac{M_z}{M_z \max.} \leq 1$$

馬達安裝方向 Motor Mounting Position Version

MS Type 馬達直裝安裝 Straight Motor Mounting	ML Type 馬達左裝安裝 Left Motor Mounting	MR Type 馬達右裝安裝 Right Motor Mounting	MD Type 馬達下裝安裝 Down Motor Mounting

基本規格 Basic Specification

YSC170		4P(每軌裝設數量) Block Quantity				
技術參數 Technical Parameters	位置重複精度 Repetitive Accuracy (mm)	±0.01				
	螺桿導程 Ball Screw Lead (mm)	5	10	20	40	
	最高速度 Maximum Speed (mm/s)	250	500	1000	2000	
	最大可搬重量 Maximum Payload	水平使用 Horizontal (kg)	120	100	85	60
		垂直使用 Vertical (kg)	60	50	35	20
	定倍推力 Rated Thrust (N)	2563	1281	640	320	
	最大空載扭矩 Max. No-load Driving Torque (N·m)	0.1	0.12	0.16	0.2	
基本規格 Basic Specification	最大扭矩 Max. Driving Torque (N·m)	10.9	12.5	14	16	
	標準行程 Stroke (mm)	100~1250 mm/ 50 Pitch				
	AC 附屬馬達容量 AC Servo Motor Output (W)	400 / 750				
	滾珠螺桿外徑 Ball Screw Diameter (mm)	Ø20 / Ø25				
	高剛性直線滑軌 Linear Guide (mm)	20# × 2 PCS				
主軸截面積最大外形 Max Outline of Main Engine Cross Section (mm)	170 × 107					
原點感應器 Home Sensor	EE-SX672(NPN)					

注1: 行程超過850mm時，可能會產生嚴重的共振現象，此時應參考圖紙下側表格所對應的速度。

注2: 測定條件為無力矩的理想數據，橫軸力矩和加速度數據會相應改變，具體請參考選型軟件。

注3: 2, 3, 4, 5, 6, 7, 8, 9, 10, 11, 12, 13, 14, 15, 16, 17, 18, 19, 20, 21, 22, 23, 24, 25, 26, 27, 28, 29, 30, 31, 32, 33, 34, 35, 36, 37, 38, 39, 40, 41, 42, 43, 44, 45, 46, 47, 48, 49, 50, 51, 52, 53, 54, 55, 56, 57, 58, 59, 60, 61, 62, 63, 64, 65, 66, 67, 68, 69, 70, 71, 72, 73, 74, 75, 76, 77, 78, 79, 80, 81, 82, 83, 84, 85, 86, 87, 88, 89, 90, 91, 92, 93, 94, 95, 96, 97, 98, 99, 100, 101, 102, 103, 104, 105, 106, 107, 108, 109, 110, 111, 112, 113, 114, 115, 116, 117, 118, 119, 120, 121, 122, 123, 124, 125, 126, 127, 128, 129, 130, 131, 132, 133, 134, 135, 136, 137, 138, 139, 140, 141, 142, 143, 144, 145, 146, 147, 148, 149, 150, 151, 152, 153, 154, 155, 156, 157, 158, 159, 160, 161, 162, 163, 164, 165, 166, 167, 168, 169, 170, 171, 172, 173, 174, 175, 176, 177, 178, 179, 180, 181, 182, 183, 184, 185, 186, 187, 188, 189, 190, 191, 192, 193, 194, 195, 196, 197, 198, 199, 200, 201, 202, 203, 204, 205, 206, 207, 208, 209, 210, 211, 212, 213, 214, 215, 216, 217, 218, 219, 220, 221, 222, 223, 224, 225, 226, 227, 228, 229, 230, 231, 232, 233, 234, 235, 236, 237, 238, 239, 240, 241, 242, 243, 244, 245, 246, 247, 248, 249, 250, 251, 252, 253, 254, 255, 256, 257, 258, 259, 260, 261, 262, 263, 264, 265, 266, 267, 268, 269, 270, 271, 272, 273, 274, 275, 276, 277, 278, 279, 280, 281, 282, 283, 284, 285, 286, 287, 288, 289, 290, 291, 292, 293, 294, 295, 296, 297, 298, 299, 300, 301, 302, 303, 304, 305, 306, 307, 308, 309, 310, 311, 312, 313, 314, 315, 316, 317, 318, 319, 320, 321, 322, 323, 324, 325, 326, 327, 328, 329, 330, 331, 332, 333, 334, 335, 336, 337, 338, 339, 340, 341, 342, 343, 344, 345, 346, 347, 348, 349, 350, 351, 352, 353, 354, 355, 356, 357, 358, 359, 360, 361, 362, 363, 364, 365, 366, 367, 368, 369, 370, 371, 372, 373, 374, 375, 376, 377, 378, 379, 380, 381, 382, 383, 384, 385, 386, 387, 388, 389, 390, 391, 392, 393, 394, 395, 396, 397, 398, 399, 400, 401, 402, 403, 404, 405, 406, 407, 408, 409, 410, 411, 412, 413, 414, 415, 416, 417, 418, 419, 420, 421, 422, 423, 424, 425, 426, 427, 428, 429, 430, 431, 432, 433, 434, 435, 436, 437, 438, 439, 440, 441, 442, 443, 444, 445, 446, 447, 448, 449, 450, 451, 452, 453, 454, 455, 456, 457, 458, 459, 460, 461, 462, 463, 464, 465, 466, 467, 468, 469, 470, 471, 472, 473, 474, 475, 476, 477, 478, 479, 480, 481, 482, 483, 484, 485, 486, 487, 488, 489, 490, 491, 492, 493, 494, 495, 496, 497, 498, 499, 500, 501, 502, 503, 504, 505, 506, 507, 508, 509, 510, 511, 512, 513, 514, 515, 516, 517, 518, 519, 520, 521, 522, 523, 524, 525, 526, 527, 528, 529, 530, 531, 532, 533, 534, 535, 536, 537, 538, 539, 540, 541, 542, 543, 544, 545, 546, 547, 548, 549, 550, 551, 552, 553, 554, 555, 556, 557, 558, 559, 560, 561, 562, 563, 564, 565, 566, 567, 568, 569, 570, 571, 572, 573, 574, 575, 576, 577, 578, 579, 580, 581, 582, 583, 584, 585, 586, 587, 588, 589, 590, 591, 592, 593, 594, 595, 596, 597, 598, 599, 600, 601, 602, 603, 604, 605, 606, 607, 608, 609, 610, 611, 612, 613, 614, 615, 616, 617, 618, 619, 620, 621, 622, 623, 624, 625, 626, 627, 628, 629, 630, 631, 632, 633, 634, 635, 636, 637, 638, 639, 640, 641, 642, 643, 644, 645, 646, 647, 648, 649, 650, 651, 652, 653, 654, 655, 656, 657, 658, 659, 660, 661, 662, 663, 664, 665, 666, 667, 668, 669, 670, 671, 672, 673, 674, 675, 676, 677, 678, 679, 680, 681, 682, 683, 684, 685, 686, 687, 688, 689, 690, 691, 692, 693, 694, 695, 696, 697, 698, 699, 700, 701, 702, 703, 704, 705, 706, 707, 708, 709, 710, 711, 712, 713, 714, 715, 716, 717, 718, 719, 720, 721, 722, 723, 724, 725, 726, 727, 728, 729, 730, 731, 732, 733, 734, 735, 736, 737, 738, 739, 740, 741, 742, 743, 744, 745, 746, 747, 748, 749, 750, 751, 752, 753, 754, 755, 756, 757, 758, 759, 760, 761, 762, 763, 764, 765, 766, 767, 768, 769, 770, 771, 772, 773, 774, 775, 776, 777, 778, 779, 780, 781, 782, 783, 784, 785, 786, 787, 788, 789, 790, 791, 792, 793, 794, 795, 796, 797, 798, 799, 800, 801, 802, 803, 804, 805, 806, 807, 808, 809, 810, 811, 812, 813, 814, 815, 816, 817, 818, 819, 820, 821, 822, 823, 824, 825, 826, 827, 828, 829, 830, 831, 832, 833, 834, 835, 836, 837, 838, 839, 840, 841, 842, 843, 844, 845, 846, 847, 848, 849, 850, 851, 852, 853, 854, 855, 856, 857, 858, 859, 860, 861, 862, 863, 864, 865, 866, 867, 868, 869, 870, 871, 872, 873, 874, 875, 876, 877, 878, 879, 880, 881, 882, 883, 884, 885, 886, 887, 888, 889, 890, 891, 892, 893, 894, 895, 896, 897, 898, 899, 900, 901, 902, 903, 904, 905, 906, 907, 908, 909, 910, 911, 912, 913, 914, 915, 916, 917, 918, 919, 920, 921, 922, 923, 924, 925, 926, 927, 928, 929, 930, 931, 932, 933, 934, 935, 936, 937, 938, 939, 940, 941, 942, 943, 944, 945, 946, 947, 948, 949, 950, 951, 952, 953, 954, 955, 956, 957, 958, 959, 960, 961, 962, 963, 964, 965, 966, 967, 968, 969, 970, 971, 972, 973, 974, 975, 976, 977, 978, 979, 980, 981, 982, 983, 984, 985, 986, 987, 988, 989, 990, 991, 992, 993, 994, 995, 996, 997, 998, 999, 1000.

↓ DOWNLOAD

選型軟件: LimonCalculate

www.limonrobot.com

56

ITO Series

HTO Series

ITC Series

HTC Series

ITZ Series

TSC Series

TWG Series

SSG Series

SWG Series

Y50 Series

YSC Series

YTO Series

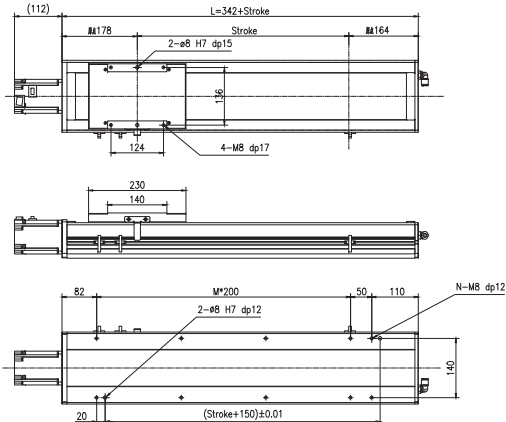
YTC Series

Mechasystem

YSC 170 亞標全密式螺桿驅動型

Ball Screw Driven Linear Actuator

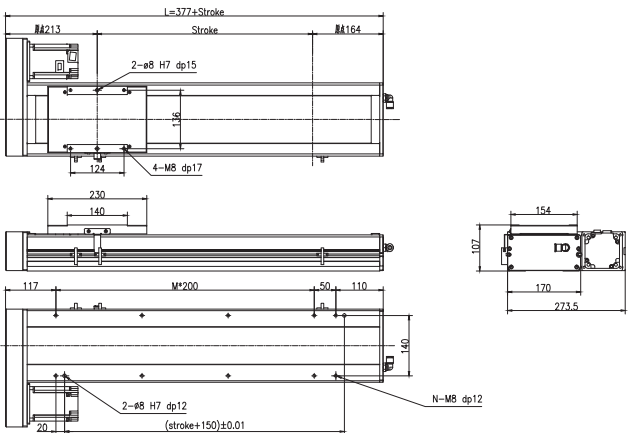
YSC170-4P-MS 馬達直裝安裝 Straight Motor Mounting



行程 Stroke (mm)	100	150	200	250	300	350	400	450	500	550	600	650	700	750	800	850	900	950	1000	1050	1100	1150	1200	1250																
L	442	492	542	592	642	692	742	792	842	892	942	992	1042	1092	1142	1192	1242	1292	1342	1392	1442	1492	1542	1592																
A	50	100	150	200	50	100	150	200	50	100	150	200	50	100	150	200	50	100	150	200	50	100	150	200																
M	1	1	1	1	2	2	2	2	3	3	3	3	4	4	4	4	5	5	5	5	6	6	6	6																
N	6	6	6	6	8	8	8	8	10	10	10	10	12	12	12	12	14	14	14	14	16	16	16	16																
重量 Weight (kg)	14.8	15.6	16.4	17.2	17.9	18.7	19.5	20.3	21.0	21.8	22.6	23.4	24.1	24.9	25.7	26.5	27.2	28.0	28.8	29.6	30.4	31.2	32.0	32.8																
最高速度 Max speed (mm/sec)	Pitch 40: 2000										Pitch 20: 1000										Pitch 10: 500										Pitch 05: 250									

#注1: 行程超過850mm時, 可能會產生嚴重的共振現象, 此時應參考圖紙下側表格所對應的速度。
 Note 1: When the stroke is more than 850mm, the resonance phenomenon could come into being. So please refer to speed sheet on the drawing.

YSC170-4P-ML 馬達左折安裝 Left Motor Mounting



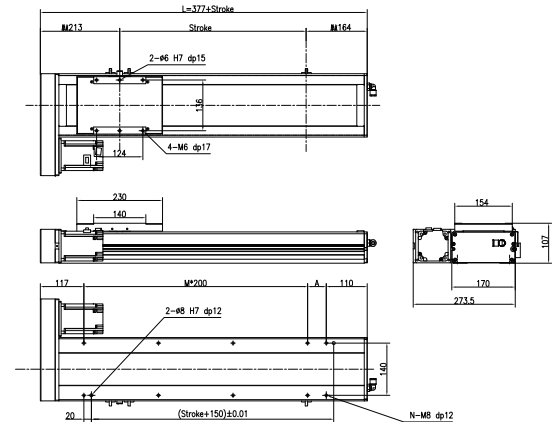
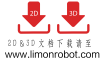
行程 Stroke (mm)	100	150	200	250	300	350	400	450	500	550	600	650	700	750	800	850	900	950	1000	1050	1100	1150	1200	1250																
L	477	527	577	627	677	727	777	827	877	927	977	1027	1077	1127	1177	1227	1277	1327	1377	1427	1477	1527	1577	1627																
A	50	100	150	200	50	100	150	200	50	100	150	200	50	100	150	200	50	100	150	200	50	100	150	200																
M	1	1	1	1	2	2	2	2	3	3	3	3	4	4	4	4	5	5	5	5	6	6	6	6																
N	6	6	6	6	8	8	8	8	10	10	10	10	12	12	12	12	14	14	14	14	16	16	16	16																
重量 Weight (kg)	14.8	15.6	16.4	17.2	17.9	18.7	19.5	20.3	21.0	21.8	22.6	23.4	24.1	24.9	25.7	26.5	27.2	28.0	28.8	29.6	30.4	31.2	32.0	32.8																
最高速度 Max speed (mm/sec)	Pitch 40: 2000										Pitch 20: 1000										Pitch 10: 500										Pitch 05: 250									

#注1: 行程超過850mm時, 可能會產生嚴重的共振現象, 此時應參考圖紙下側表格所對應的速度。
 Note 1: When the stroke is more than 850mm, the resonance phenomenon could come into being. So please refer to speed sheet on the drawing.

亞標全密式螺桿驅動型 YSC 170

Ball Screw Driven Linear Actuator

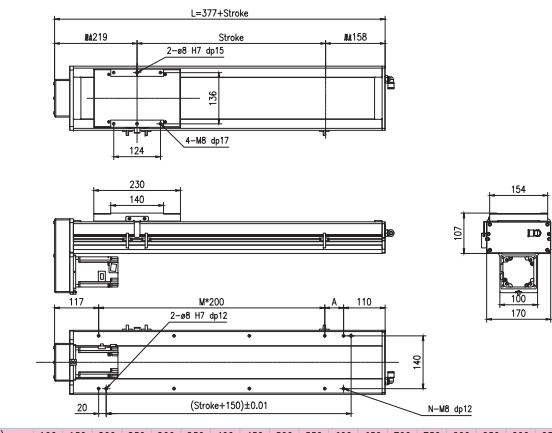
YSC170-4P-MR 馬達右折安裝 Right Motor Mounting



行程 Stroke (mm)	100	150	200	250	300	350	400	450	500	550	600	650	700	750	800	850	900	950	1000	1050	1100	1150	1200	1250																
L	477	527	577	627	677	727	777	827	877	927	977	1027	1077	1127	1177	1227	1277	1327	1377	1427	1477	1527	1577	1627																
A	50	100	150	200	50	100	150	200	50	100	150	200	50	100	150	200	50	100	150	200	50	100	150	200																
M	1	1	1	1	2	2	2	2	3	3	3	3	4	4	4	4	5	5	5	5	6	6	6	6																
N	6	6	6	6	8	8	8	8	10	10	10	10	12	12	12	12	14	14	14	14	16	16	16	16																
重量 Weight (kg)	14.8	15.6	16.4	17.2	17.9	18.7	19.5	20.3	21.0	21.8	22.6	23.4	24.1	24.9	25.7	26.5	27.2	28.0	28.8	29.6	30.4	31.2	32.0	32.8																
最高速度 Max speed (mm/sec)	Pitch 40: 2000										Pitch 20: 1000										Pitch 10: 500										Pitch 05: 250									

#注1: 行程超過850mm時, 可能會產生嚴重的共振現象, 此時應參考圖紙下側表格所對應的速度。
 Note 1: When the stroke is more than 850mm, the resonance phenomenon could come into being. So please refer to speed sheet on the drawing.

YSC170-4P-MD 馬達下折安裝 Down Motor Mounting



行程 Stroke (mm)	100	150	200	250	300	350	400	450	500	550	600	650	700	750	800	850	900	950	1000	1050	1100	1150	1200	1250																
L	477	527	577	627	677	727	777	827	877	927	977	1027	1077	1127	1177	1227	1277	1327	1377	1427	1477	1527	1577	1627																
A	50	100	150	200	50	100	150	200	50	100	150	200	50	100	150	200	50	100	150	200	50	100	150	200																
M	1	1	1	1	2	2	2	2	3	3	3	3	4	4	4	4	5	5	5	5	6	6	6	6																
N	6	6	6	6	8	8	8	8	10	10	10	10	12	12	12	12	14	14	14	14	16	16	16	16																
重量 Weight (kg)	14.8	15.6	16.4	17.2	17.9	18.7	19.5	20.3	21.0	21.8	22.6	23.4	24.1	24.9	25.7	26.5	27.2	28.0	28.8	29.6	30.4	31.2	32.0	32.8																
最高速度 Max speed (mm/sec)	Pitch 40: 2000										Pitch 20: 1000										Pitch 10: 500										Pitch 05: 250									

#注1: 行程超過850mm時, 可能會產生嚴重的共振現象, 此時應參考圖紙下側表格所對應的速度。
 Note 1: When the stroke is more than 850mm, the resonance phenomenon could come into being. So please refer to speed sheet on the drawing.