

L750



WINGNUT WITH FEMALE THREADED INSERT

Material:
Reinforced polyamide.
Oils and greases resistant.

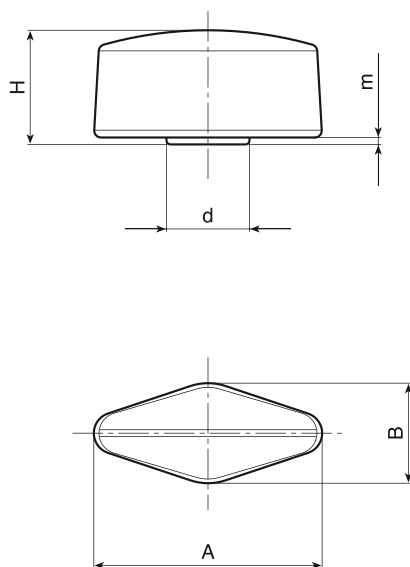
Surface:
Satin.

Colour:
Black (RAL 9011).

Main Insert:
Brass blind threaded bush (tolerance 6H).

SPECIAL REQUEST:

- It is possible to supply the inserts in different materials, on request and for quantities.
- It is possible to supply colours as shown in the table at pag. L-31, on request and for quantities.



	Art.	A	B	H	m	d	d1 6H	Q	g
●	L75032.TM0501	33	15	16,5	1	12	M05	7	7
●	L75032.TM0601	33	15	16,5	1	12	M06	7	6
●	L75032.TM0801	33	15	16,5	1	12	M08	7	6
●	L75048.TM0601	48	15	16	1	12,5	M06	7	10
●	L75048.TM0801	48	15	16	1	12,5	M08	7	10