

# L270

## T-HANDLE WITH FEMALE THREADED INSERT

**Material:**  
Reinforced polyamide.  
Oils and greases resistant.

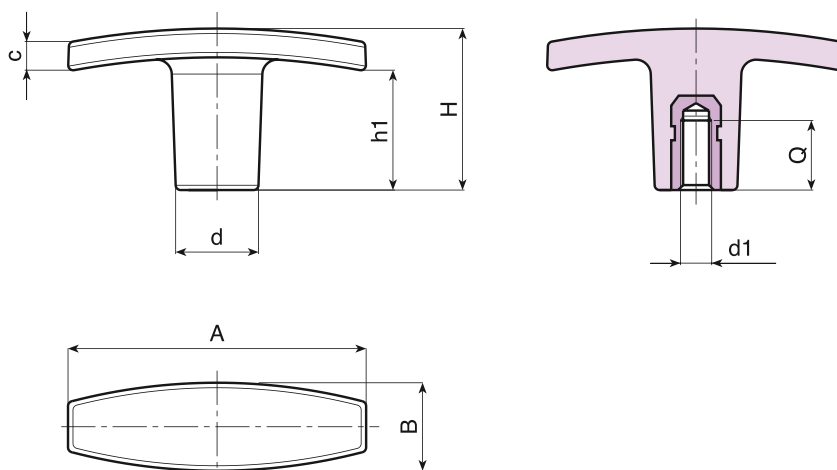
**Surface:**  
Satin.

**Colour:**  
Black (RAL 9011).

**Main Insert:**  
Brass blind threaded bush (tolerance 6H).

### SPECIAL REQUEST:

- It is possible to supply the inserts in different materials, on request and for quantities.
- It is possible to supply colours as shown in the table at pag. L-31, on request and for quantities.



Version L270-01 colour black (RAL 9001 code 01)

	Art.	A	B	H	h1	c	d	d1 6H	Q	$\Delta$ g	F1 (N)
●	L27050.TM0501	50	15	24	17	5	14	M05	12	13	4100
●	L27050.TM0601	50	15	24	17	5	14	M06	10	11	4100
●	L27050.TM0801	50	15	24	17	5	14	M08	14	12	4100
●	L27060.TM0501	60	18	33	24	6	16,5	M05	12	19	5800
●	L27060.TM0601	60	18	33	24	6	16,5	M06	10	16,5	5800
●	L27060.TM0801	60	18	33	24	6	16,5	M08	14	17,5	5800
●	L27060.TM1001	60	18	33	24	6	16,5	M10	21	21	5800
●	L27072.TM0601	72	19	34	20	10	18	M06	15	25	6500
●	L27072.TM0801	72	19	34	20	10	18	M08	20	28	6500
●	L27072.TM1001	72	19	34	20	10	18	M10	21	30	6500
●	L27072.TM1201	72	19	34	20	10	18	M12	17	30	6500