

I119



MUSHROOM KNOB WITH THREADED STUD

Material:
Reinforced polyamide.
Oils and greases resistant.

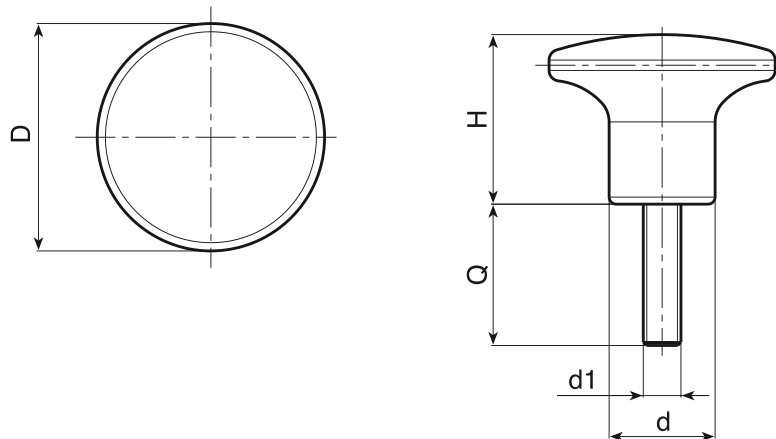
Surface:
Satin.

Colour:
Black (RAL 9011).

Main Insert:
Zinc plated steel threaded stud (tolerance 6g).

SPECIAL REQUESTS:

- It is possible to supply inserts in different lengths or by special design, on request and for quantities.
- It is possible to supply inserts in different materials, on request and for quantities.
- It is possible to supply colours as shown in the table on pag I-25, on request and for quantities.



| | art. | D | H | d | LM | d1 6g | Q | ⚖ g |
|---|------------------|----|------|----|-----|-------|------|-----|
| ● | I11922.TM04X2001 | 22 | 17 | 11 | 65 | M04 | 20 | 6 |
| ● | I11922.TM05X3001 | 22 | 17 | 11 | 56 | M05 | 30 | 9 |
| ● | I11922.TM06X3001 | 22 | 17 | 11 | 65 | M06 | 30 | 12 |
| ● | I11926.TM05X..01 | 26 | 20,5 | 13 | 70 | M05 | A.R. | 11 |
| ● | I11926.TM06X3001 | 26 | 20,5 | 13 | 70 | M06 | 30 | 14 |
| ● | I11926.TM08X3001 | 26 | 20,5 | 13 | 70 | M08 | 30 | 30 |
| ● | I11932.TM05X..01 | 32 | 24 | 15 | 70 | M05 | A.R. | 16 |
| ● | I11932.TM06X3001 | 32 | 24 | 15 | 70 | M06 | 30 | 18 |
| ● | I11932.TM08X4001 | 32 | 24 | 15 | 70 | M08 | 40 | 28 |
| ● | I11945.TM08X..01 | 45 | 32 | 21 | 100 | M08 | A.R. | 42 |
| ● | I11945.TM10X3001 | 45 | 32 | 21 | 100 | M10 | 30 | 48 |
| ● | I11945.TM12X4001 | 45 | 32 | 21 | 100 | M12 | 40 | 72 |

Enter the stud length choice in the two .. of the article code. Lengths by request with 250 pieces minimum quantity.

LM = Maximum mouldable length.