

I108



CONICAL KNOB WITH THREADED PLASTIC BORE

Material:
Reinforced polyamide.
Oils and greases resistant.

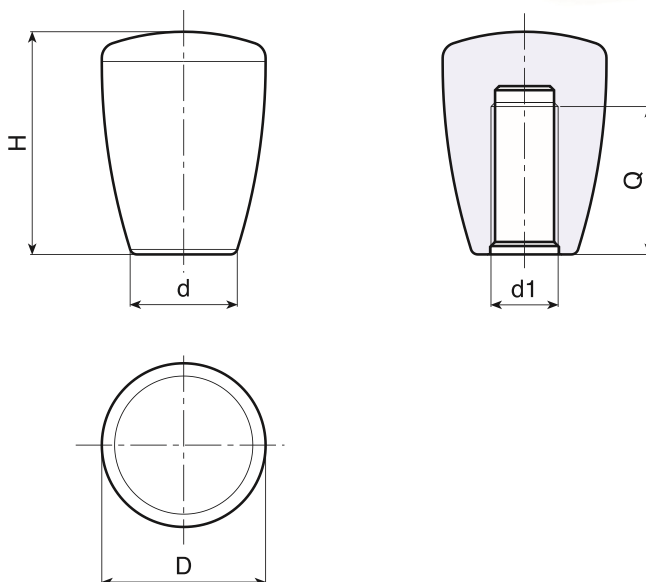
Surface:
Satin.

Colour:
Black (RAL 9011).

Hole:
Female threaded blind hole obtained by moulding the plastic. (tolerance in not applicable).

SPECIAL REQUEST:

- It is possible to supply colours as shown in the table at pag. I-25, on request and for quantities.
(* **ATTENTION:** Reduced colour range.)



	art.	D	H	d	d1	Q	g
●	I10821.TM0401	21	28	13	M04	16	13
●	I10821.TM0501	21	28	13	M05	16	12
●	I10821.TM0601	21	28	13	M06	16	11
●	I10825.TM0501	25	34	17	M05	24	16
●	I10825.TM0601	25	34	17	M06	24	16
●	I10825.TM0801	25	34	17	M08	24	14
●	I10825.TM1001	25	34	17	M10	24	14
●	I10832.TM0801	32	43	21	M08	30	32
●	I10832.TM1001	32	43	21	M10	30	32
●	I10832.TM1201	32	43	21	M12	30	32
●	I10843.TM1001	43	58	27	(*) M10	36	80
●	I10843.TM1201	43	58	27	(*) M12	36	78
●	I10843.TM1401	43	58	27	(*) M14	36	76
●	I10843.TM1601	43	58	27	(*) M16	36	74