

H758



KNURLED HANDWHEEL WITH HUB AND THREADED FEMALE INSERT

Material:
Reinforced polyamide.
Oils and greases resistant.

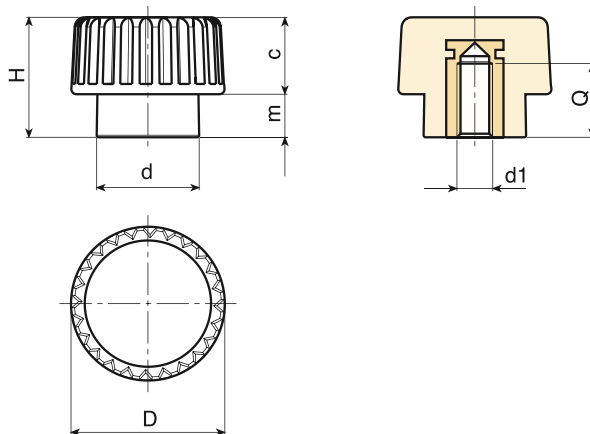
Surface:
Satin.

Colour:
Black (RAL 9011).

Main Insert:
Brass blind threaded bush (tolerance 6H).

SPECIAL REQUEST:

- It is possible to supply the inserts in different materials, on request and for quantities.
- It is possible to supply colours as shown in the table at pag. H-23, on request and for quantities.



	art.	D	H	d	m	c	d1 6H	Q	Δ g
●	H75815.TM0401	15	12	10	4,5	7,5	M04	7	4
●	H75815.TM0501	15	12	10	4,5	7,5	M05	7	4
●	H75815.TM0601	15	12	10	4,5	7,5	M06	7	4

Presumable presence in the stock in %

90% ● 40% ● 5% ●