

F186 CIN

+135°
-30°

PA6
+G.F.

UL94
HB

RoHS
COMPLIANT

INOX

SOLID CROSS HANDWHEEL WITH FEMALE THREADED STAINLESS STEEL INSERT

Material:
Reinforced polyamide.
Oils and greases resistant.

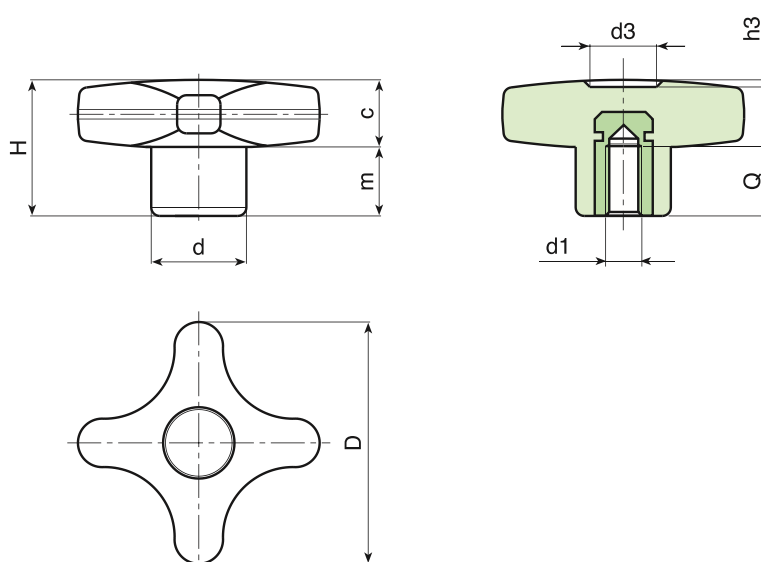
Surface:
Satin.

Colour:
Black (RAL 9011).

Main Insert:
Stainless steel blind threaded bush (AISI 303)
(tolerance 6H).

SPECIAL REQUEST:

- It is possible to supply colours as shown in the table at pag. F-45, on request and for quantities.



	Art.	D	H	d	c	m	d3	h3	d1 6H	Q	g
●	F18632.TM0501CIN	32	23	15	11	12	11	1,5	M05	14	11,5
●	F18632.TM0601CIN	32	23	15	11	12	11	1,5	M06	10	12
●	F18632.TM0801CIN	32	23	15	11	12	11	1,5	M08	14	12,5
●	F18640.TM0601CIN	40	24,5	16	12	12,5	13	1,5	M06	16	15
●	F18640.TM0801CIN	40	24,5	16	12	12,5	13	1,5	M08	14	16
●	F18640.TM1001CIN	40	24,5	16	12	12,5	13	1,5	M10	14	17
●	F18650.TM0801CIN	50	29	20	14	15	14	2	M08	14	26
●	F18650.TM1001CIN	50	29	20	14	15	14	2	M10	14	27
●	F18650.TM1201CIN	50	29	20	14	15	14	2	M12	18	29
●	F18660.TM0801CIN	60	34	24	15,5	18,5	18	2	M08	19	40
●	F18660.TM1001CIN	60	34	24	15,5	18,5	18	2	M10	21	43
●	F18660.TM1201CIN	60	34	24	15,5	18,5	18	2	M12	18	44

Presumable presence in the stock in %
 90% ● 40% ● 5% ●