

F177 PIN

+135°
-30°

PA6
+G.F.

UL94
HB

RoHS
COMPLIANT

INOX

SOLID 6 LOBE HANDWHEEL WITH RIGHT THROUGH FEMALE THREADED STAINLESS STEEL INSERT

Material:
Reinforced polyamide.
Oils and greases resistant.

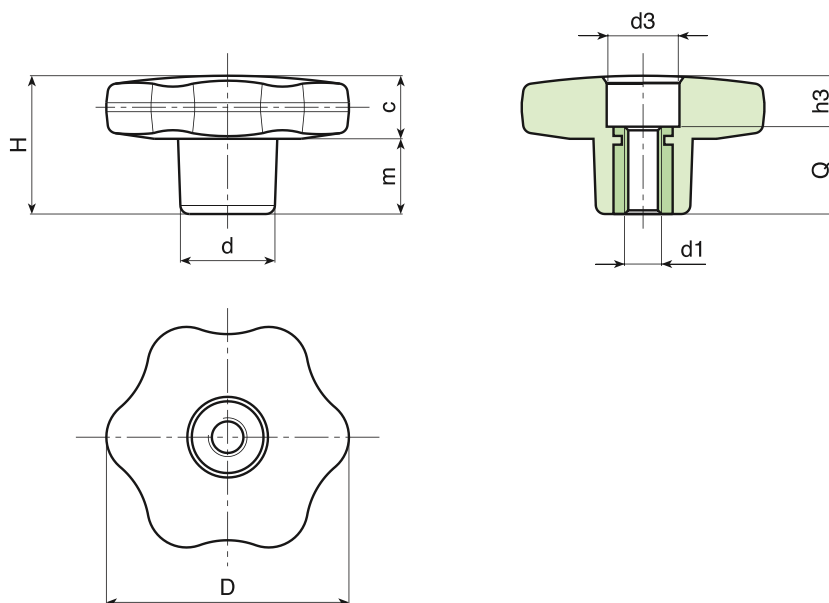
Surface:
Satin.

Colour:
Black (RAL 9011).

Main Insert:
Stainless steel right through threaded bush (AISI 303) (tolerance 6H).

SPECIAL REQUEST:

- It is possible to supply colours as shown in the table at pag. F-45, on request and for quantities.



	Art.	D	H	d	c	m	d3	h3	d1 6H	Q	g
●	F17730.TM0501PIN	30	22	15	11	11	11	4	M05	18	12
●	F17730.TM0601PIN	30	22	15	11	11	11	4	M06	18	13
●	F17730.TM0801PIN	30	22	15	11	11	11	4	M08	18	13
●	F17740.TM0601PIN	40	24,5	17	12	12,5	12	6	M06	18	20
●	F17740.TM0801PIN	40	24,5	17	12	12,5	12	6	M08	18	21
●	F17740.TM1001PIN	40	24,5	17	12	12,5	12	6	M10	18	22
●	F17750.TM0801PIN	50	29	20	14	15	14	11	M08	18	34
●	F17750.TM1001PIN	50	29	20	14	15	14	11	M10	18	35
●	F17750.TM1201PIN	50	29	20	14	15	14	11	M12	18	35
●	F17760.TM0801PIN	60	34	24	16	18	15	16	M08	18	54
●	F17760.TM1001PIN	60	34	24	16	18	15	16	M10	18	55
●	F17760.TM1201PIN	60	34	24	16	18	15	16	M12	18	55