

# F175



## SOLID 6 LOBE HANDWHEEL WITH FEMALE THREADED INSERT

**Material:**  
Reinforced polyamide.  
Oils and greases resistant.

**Surface:**  
Satin.

**Colour:**  
Black (RAL 9011).

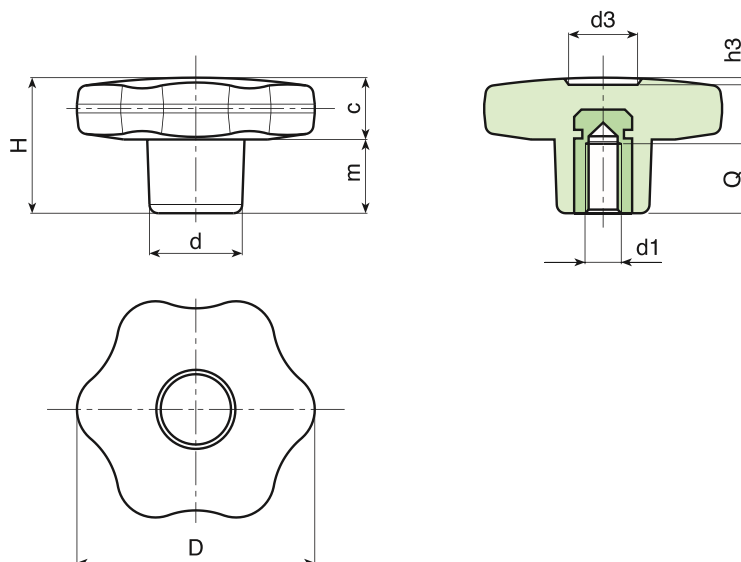
**Main Insert:**  
Brass blind threaded bush (tolerance 6H).



F

### SPECIAL REQUEST:

- It is possible to supply the inserts in different materials, on request and for quantities.
- It is possible to supply colours as shown in the table at pag. F-45, on request and for quantities.



	Art.	D	H	d	c	m	d3	h3	d1 6H	Q	g
●	F17530.TM0401	30	22	15	11	11	9	1,5	M04	7	11,5
●	F17530.TM0501	30	22	15	11	11	9	1,5	M05	14	11,5
●	F17530.TM0601	30	22	15	11	11	9	1,5	M06	10	12
●	F17530.TM0801	30	22	15	11	11	9	1,5	M08	14	13,5
●	F17530.TM1001	30	22	15	11	11	9	1,5	M10	14	14
●	F17540.TM0501	40	24,5	17	12	12,5	12	1	M05	14	22
●	F17540.TM0601	40	24,5	17	12	12,5	12	1	M06	16	22
●	F17540.TM0801	40	24,5	17	12	12,5	12	1	M08	14	21,5
●	F17540.TM1001	40	24,5	17	12	12,5	12	1	M10	14	21
●	F17550.TM0601	50	29	20	14	15	14,5	1,5	M06	16	36
●	F17550.TM0801	50	29	20	14	15	14,5	1,5	M08	14	36
●	F17550.TM1001	50	29	20	14	15	14,5	1,5	M10	14	37
●	F17550.TM1201	50	29	20	14	15	14,5	1,5	M12	18	39
●	F17560.TM0801	60	34	24	16	18	18	1,5	M08	19	59
●	F17560.TM1001	60	34	24	16	18	18	1,5	M10	21	59
●	F17560.TM1201	60	34	24	16	18	18	1,5	M12	18	62
●	F17560.TM1401	60	34	24	16	18	18	1,5	M14	19	63