

# F175 CIN



**INOX**

## SOLID 6 LOBE HANDWHEEL WITH FEMALE STAINLESS STEEL THREADED INSERT

**Material:**  
Reinforced polyamide.  
Oils and greases resistant.

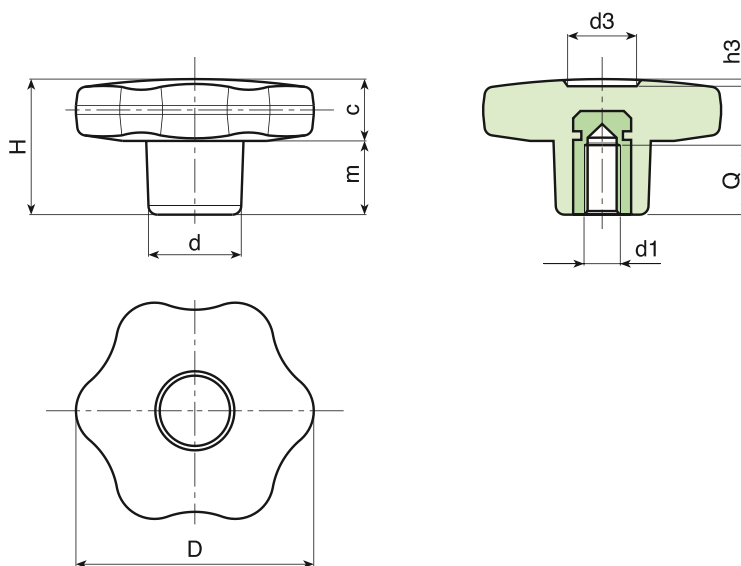
**Surface:**  
Satin.

**Colour:**  
Black (RAL 9011).

**Main Insert:**  
Stainless steel blind threaded bush (AISI 303)  
(tolerance 6H).

### SPECIAL REQUEST:

- It is possible to supply colours as shown in the table at pag. F-45, on request and for quantities.



	Art.	D	H	d	c	m	d3	h3	d1 6H	Q	g
●	F17530.TM0501CIN	30	22	15	11	11	9	1,5	M05	14	11,5
●	F17530.TM0601CIN	30	22	15	11	11	9	1,5	M06	10	12
●	F17530.TM0801CIN	30	22	15	11	11	9	1,5	M08	14	13,5
●	F17540.TM0601CIN	40	24,5	17	12	12,5	12	1	M06	16	22
●	F17540.TM0801CIN	40	24,5	17	12	12,5	12	1	M08	14	21,5
●	F17540.TM1001CIN	40	24,5	17	12	12,5	12	1	M10	14	21
●	F17550.TM0801CIN	50	29	20	14	15	14,5	1,5	M08	14	36
●	F17550.TM1001CIN	50	29	20	14	15	14,5	1,5	M10	14	37
●	F17550.TM1201CIN	50	29	20	14	15	14,5	1,5	M12	13	39
●	F17560.TM0801CIN	60	34	24	16	18	18	1,5	M08	19	59
●	F17560.TM1001CIN	60	34	24	16	18	18	1,5	M10	21	59
●	F17560.TM1201CIN	60	34	24	16	18	18	1,5	M12	18	62

Presumable presence in the stock in %

90% ● 40% ● 5% ●