

# D207



## 2 SPOKE CONTROL HANDWHEEL WITH REVOLVING FOLDAWAY HANDLE

### Material:

Reinforced and stabilised polyamide.  
Oils and greases resistant.

### Surface:

Satin.

### Colour:

Black (RAL 9011).

### Central Cap:

Grey polyamide (RAL 7035 cod. 13).

### Alternative Cap Colour:

- Orange (RAL 2004 cod. 02)
- Blue (RAL 5015 cod. 07)
- Yellow (RAL 1021 cod. 10)
- Red (RAL 3000 cod. 16)
- Green (RAL 6024 cod. 17)
- Black (RAL 9011 cod. 01)

### Main Insert:

Zinc plated steel insert with smooth through-hole (H10 tolerance).

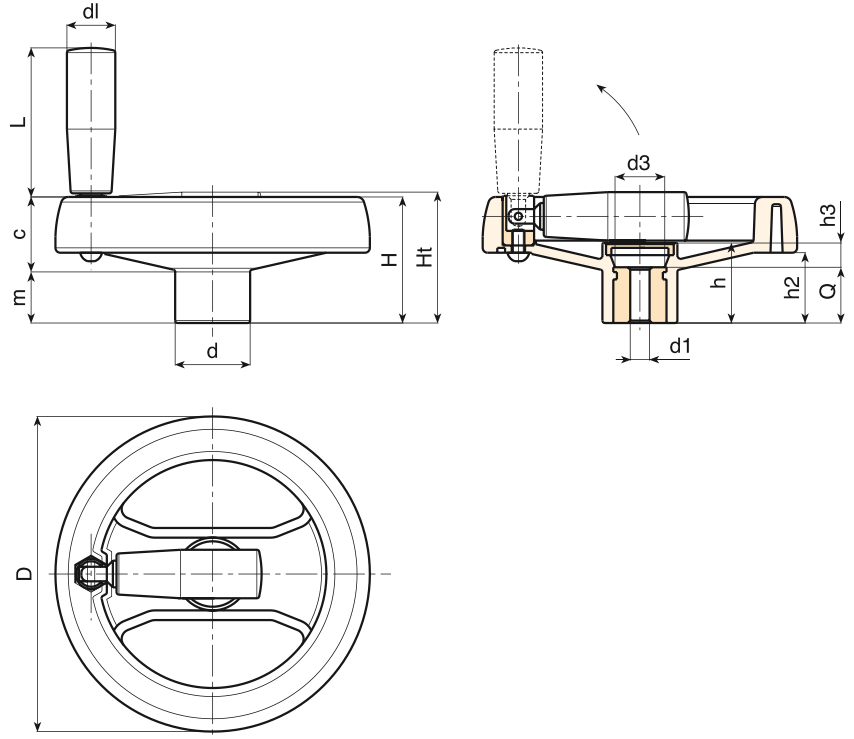
### Side handle:

Flush, foldaway revolving handle, with hexagonal connection. Reinforced polyamide. Black-oxide treated internal mechanism. Fixed with black-oxide treated hexagon socket button head screw ISO 7838.

### Hub:

Solid hub.

*For fixing system, or execution of keyway or square holes, please refer to the technical notes attached to the catalogue.*



### SPECIAL REQUEST:

- It's possible to supply the inserts with d1 bore by customer design, on request and for quantities.
- It's possible to supply the inserts in different material and treatment-finishes, on request and for quantities.
- It's possible to supply the products with colours (reduced range) as shown in the table at page D-19, on request and for quantities.



### Version with zinc plated insert and H10 tolerance bore

	Art.	D	H	Ht	h	d	m	c	h2	h3	d3	dl	L	Dm	d1 H10	Q	g
●	D207130.TP0501P	129	53	55	32	32	22	31	30	12	26	20	58	18	05	20	300
●	D207130.TD0801P	129	53	55	32	32	22	31	30	12	26	20	58	18	08	20	297
●	D207130.TD1201P	129	53	55	32	32	22	31	30	12	26	20	58	18	12	20	294
●	D207160.TP0501P	159	55	59	33,5	40	20,5	34,5	31	9,5	26	25	71	22	05	24	450
●	D207160.TD0801P	159	55	59	33,5	40	20,5	34,5	31	9,5	26	25	71	22	08	24	447
●	D207160.TD1201P	159	55	59	33,5	40	20,5	34,5	31	9,5	26	25	71	22	12	24	443
●	D207160.TD1401P	159	55	59	33,5	40	20,5	34,5	31	9,5	26	25	71	22	14	24	440
●	D207160.TD1601P	159	55	59	33,5	40	20,5	34,5	31	9,5	26	25	71	22	16	24	436
●	D207350.TD0801P	346	80	86	49,5	67,5	24	56	43,5	17,5	35	40	64	30	08	32	1650

Attention: bore d1 (H10 tolerance) could be produced by request, with 50 pieces minimum.

Dm = It's possible to increase the hole, by boring, until Dm (enlarge).