

A593 CIN



INOX

ZAMAK ALLOY INDEXED CLAMPING LEVER WITH STAINLESS STEEL MALE THREADED INSERT

Material:
Die cast Zamak lever body
(zinc, aluminium, copper alloy).

Surface:
Smooth. Epoxy-powder painting finish.

Lever body colours:
Shiny Black (RAL 9005 cod. 01)
Matt Black (RAL 9005 cod. 20)
Orange (RAL 2004 cod. 02)
Grey (RAL 7031 cod. 80)
Silver (RAL 9006 cod. 83)
Red (RAL 3000 cod. 16)
Blue (RAL 5015 cod. 07)
Natural Zamak (cod. GRE)

Main insert:
Stainless steel insert, with male threaded stud.
(Aisi 303) (Thread tolerance 6g).

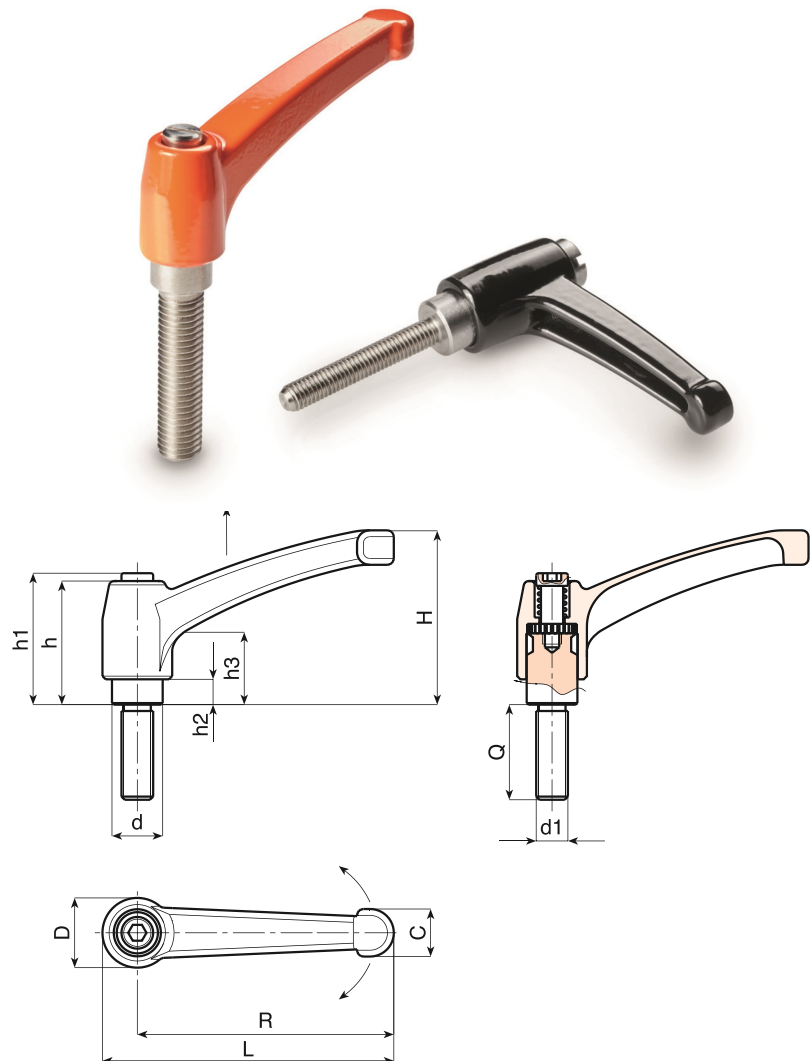
Fixing screw:
Stainless steel screw with hexagon socket head. (Aisi 304).

Spring:
Stainless steel spring (AISI 302).

SPECIAL REQUESTS:

- It's possible to supply the inserts with different lengths, on request and for 300 pieces minimum.

Attention: for insert lengths over LM, we'll use glued stainless steel male thread.



| Art. | L | R | H | D | d | c | h | h1 | h2 | h3 | LM | d1 6g | Q | g |
|---------------------|-----|-----|----|----|----|------|----|----|------|----|----|-------|-------------|-------------|
| A593043.ZM05X...CIN | 50 | 43 | 30 | 14 | 10 | 9 | 26 | 30 | 5 | 14 | 50 | M05 | 16-20-30 | 31-32-34 |
| A593043.ZM06X...CIN | 50 | 43 | 30 | 14 | 10 | 9 | 26 | 30 | 5 | 14 | 50 | M06 | 16-20-30 | 31-32-34 |
| A593043.ZM08X...CIN | 50 | 43 | 30 | 14 | 10 | 9 | 26 | 30 | 5 | 14 | 60 | M08 | 25 | 39 |
| A593065.ZM08X...CIN | 75 | 65 | 45 | 19 | 14 | 13 | 32 | 34 | 7 | 14 | 60 | M08 | 16-20-30-40 | 82-83-86-89 |
| A593065.ZM10X...CIN | 75 | 65 | 45 | 19 | 14 | 13 | 32 | 34 | 7 | 14 | 60 | M10 | 30-40 | 94-99 |
| A593080.ZM10X...CIN | 91 | 80 | 57 | 22 | 16 | 16 | 40 | 42 | 8 | 16 | 60 | M10 | 20-30-40 | 146-151-156 |
| A593080.ZM12X...CIN | 91 | 80 | 57 | 22 | 16 | 16 | 40 | 42 | 8 | 16 | 60 | M12 | 20-30-50 | 150-157-171 |
| A593094.ZM12X...CIN | 107 | 94 | 65 | 26 | 20 | 17,5 | 47 | 50 | 10,5 | 19 | 60 | M12 | 20-30 | 229-236 |
| A593094.ZM14X...CIN | 107 | 94 | 65 | 26 | 20 | 17,5 | 47 | 50 | 10,5 | 19 | 60 | M14 | 30-50 | 240-260 |
| A593094.ZM16X...CIN | 107 | 94 | 65 | 26 | 20 | 17,5 | 47 | 50 | 10,5 | 19 | 70 | M16 | 50 | 278 |
| A593108.ZM14X...CIN | 123 | 108 | 75 | 30 | 23 | 20 | 54 | 56 | 12 | 23 | 70 | M14 | A.R. | - |
| A593108.ZM16X...CIN | 123 | 108 | 75 | 30 | 23 | 20 | 54 | 56 | 12 | 23 | 70 | M16 | A.R. | - |

Enter the colour choice and stud length in the four ... of the article code.

Example: Red lever R80 M10x30 - A592080.ZM10X3016CIN

LM = maximum turning length.

A.R. = by request with 300/600 pieces minimum.

Presumable presence in the stock in %
90% ● 40% ● 5% ●