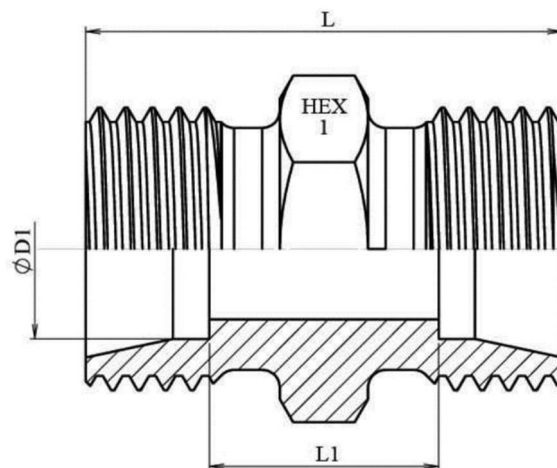


Egyenes KK metrikus-metrikus

Straight Coupling Metric



ØD1	Serie	Working Pressure (bar)	L	L1	HEX 1
4	LL	100	20	12	9
6	LL	100	20	9	11
8	LL	100	23	12	12
6	L	500	24	10	12
8	L	500	25	11	14
10	L	500	27	13	17
12	L	400	28	14	19
15	L	400	30	16	24
18	L	400	31	16	27
22	L	250	35	20	32
28	L	250	36	21	41
35	L	250	41	20	46
42	L	250	43	21	55
6	S	630	30	16	14
8	S	630	32	18	17
10	S	630	32	17	19
12	S	630	34	19	22
14	S	630	38	22	24
16	S	420	38	21	27
20	S	420	44	23	32
25	S	420	50	26	41
30	S	420	54	27	46
38	S	315	61	29	55