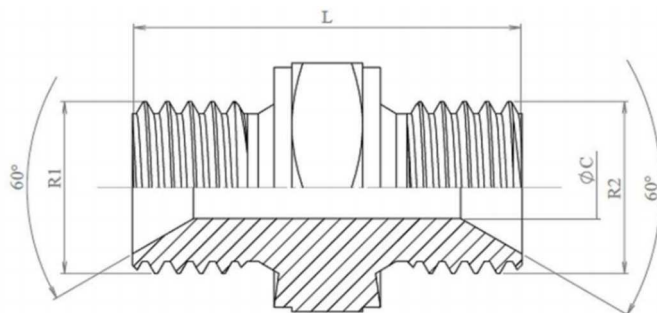


Egyenes KK váltó BSPP-BSPP

Reducer adaptor BSP male-BSP male (60°)



R1	R2	L	HEX 1	ØC
1/8" BSP	1/8" BSP	22	14	3,5
1/4" BSP	1/4" BSP	31	17	4,7
1/4" BSP	1/4" BSP	31	19	6
3/8" BSP	3/8" BSP	35	22	8
1/2" BSP	1/2" BSP	40	27	11
5/8" BSP	5/8" BSP	45	30	14
3/4" BSP	3/4" BSP	45	32	16
1" BSP	1" BSP	53	41	22
1"1/4 BSP	1"1/4 BSP	56	50	28,5
1"1/2 BSP	1"1/2 BSP	65	55	33
2" BSP	2" BSP	69	70	46
2" 1/2 BSP	2" 1/2 BSP	72	85	55
3" BSP	3" BSP	90	100	64