



Square flanged bearing supports

Serie **UCF/C**
Serie **MUCF/C**

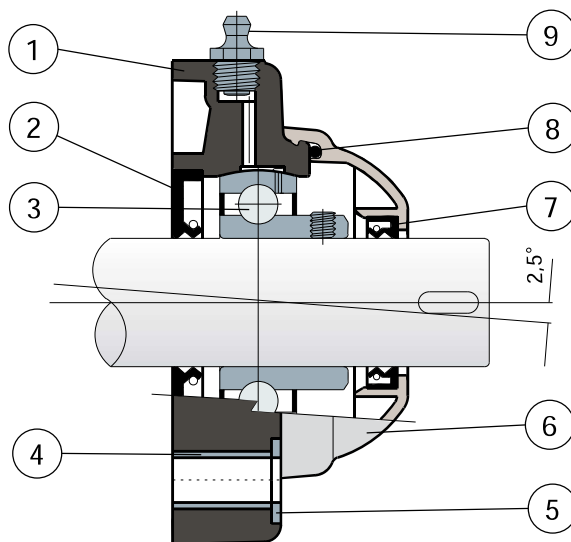


NEW

New product line with support body in PA white colour.



Full protection of bearing



- 1) Support body made out of black or white colour polyamide reinforced with glass fibers.
- 2) Back gasket made out of NBR rubber for turning shaft seal.
- 3) Chrome steel or stainless steel bearing AISI 440.
- 4) Spacer for fixing reinforcement made out of stainless steel AISI 304.
- 5) UNI 6592 support washer made out of stainless steel AISI 304.
- 6) Protection cover made out of polypropylene (grey colour Ral 7042).
- 7) Front gasket made out of NBR rubber for turning shaft seal.
- 8) OR gasket made out of NBR rubber
- 9) Greaser for relubrication made out of nickel-plated brass.

Support dimensions respect ISO 3228 set of rules

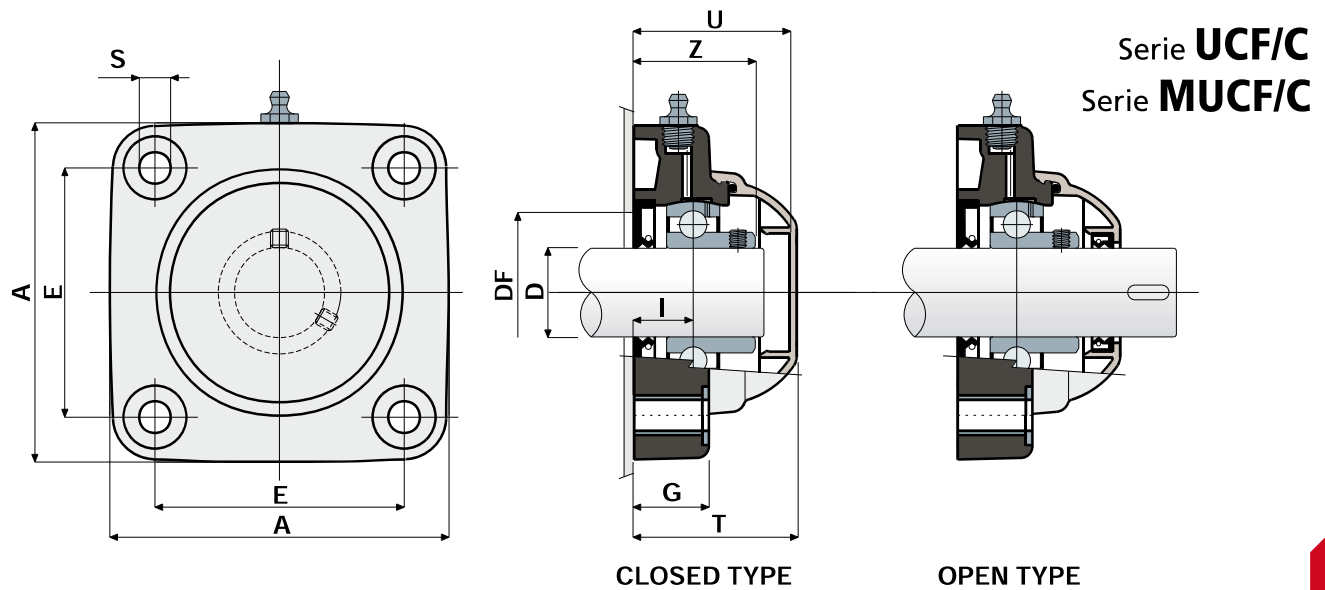
Maximum shaft alignment error 2,5°

For further information please contact our technical office or sales department.



Square flanged bearing supports

Technical data



Serie **UCF/C**
Serie **MUCF/C**

CHROME STEEL BEARING																		
D	SERIE	CODES				DIMENSIONS (mm)								Bearing load (N)		Bearing support load (N)		
		Black colour		White colour		E	A	S	G	I	Z	U	T	DF			C	C0
		Closed type	Open type	Closed type	Open type									Max	Min			
20	UCF 204 C	80248	80249	84580	84581	63,5	90	10,5	19	15,5	33,5	44	46,5	45	40	12800	6600	16500
25	UCF 205 C	80057	80060	84582	84583	70	99	10,5	22	17	36	47	49	50	45	14000	7800	17000
30	UCF 206 C	80009	80005	84584	84585	83	113	10,5	26	20	41	54	56	60	50	19500	11300	17500
30	MUCF 206 C	84038	84039	84586	84587	83	113	10,5	26	20	41	65	68	60	50	19500	11300	17500
35	UCF 207 C	80058	80061	84588	84589	92	122	10,5	26	20	45	57	59	70	55	25500	15300	18000
35	MUCF 207 C	82549	82392	84590	84591	83	113	10,5	26	19,5	45	65	68	70	55	25500	15300	18000
40	UCF 208 C	80250	80251	84592	84593	102	133	10,5	26	19,5	48,5	65	68	78	65	32500	19800	18000
40	MUCF 208 C	80697	80699	84594	84595	83	113	10,5	26	19,5	48,5	65	68	78	65	32500	19800	18000

STAINLESS STEEL BEARING AISI 440																		
D	SERIE	CODES				DIMENSIONS (mm)								Bearing load (N)		Bearing support load (N)		
		Black colour		White colour		E	A	S	G	I	Z	U	T	DF			C	C0
		Closed type	Open type	Closed type	Open type									Max	Min			
20	UCF 204 C	80400	80448	84596	84597	63,5	90	10,5	19	15,5	33,5	44	46,5	45	40	8300	6550	16500
25	UCF 205 C	80445	80449	84598	84599	70	99	10,5	22	17	36	47	49	50	45	9150	7800	17000
30	UCF 206 C	80378	80377	84600	84601	83	113	10,5	26	20	41	54	56	60	50	12500	11200	17500
30	MUCF 206 C	84040	84041	84602	84603	83	113	10,5	26	20	41	65	68	60	50	12500	11200	17500
35	UCF 207 C	80446	80450	84604	84605	92	122	10,5	26	20	45	57	59	70	55	16600	15300	18000
35	MUCF 207 C	83467	83466	84606	84607	83	113	10,5	26	19,5	45	65	68	70	55	16600	15300	18000
40	UCF 208 C	80447	80451	84608	84609	102	133	10,5	26	19,5	48,5	65	68	78	65	20000	19000	18000
40	MUCF 208 C	81057	81058	84610	84611	83	113	10,5	26	19,5	48,5	65	68	78	65	20000	19000	18000

VERSIONS WITH MEASURES IN INCHES

CHROME STEEL BEARING																		
D	SERIE	CODES				DIMENSIONS (mm)								Bearing load (N)		Bearing support load (N)		
		Black colour		White colour		E	A	S	G	I	Z	U	T	DF			C	C0
		Closed type	Open type	Closed type	Open type									Max	Min			
1" (25,4)	UCF 205 C	84500	84490	84875	84876	70	99	10,5	22	17	36	47	49	50	45	9150	7800	17000
1 1/4" (31,75)	UCF 206 C	84501	84491	84877	84878	83	113	10,5	26	20	41	54	56	60	50	12500	11200	17500
1 1/4" (31,75)	MUCF 206 C	84502	84492	85180	85181	83	113	10,5	26	20	41	65	68	60	50	12500	11200	17500

MATERIALS: Support made of PA + glass fiber black or white colour; chrome steel or stainless steel bearing; greaser made of nickel plated brass; reinforcement bushings and washers made of stainless steel AISI 304; gaskets made of NBR rubber; cover made of polypropylene, grey colour RAL 7042.

FEATURES: Full protection of bearing against external agents. Assembly with not shouldered shafts. Maximum shaft alignment error 2.5°.

BOX QUANTITY: 8 pieces.

ON REQUEST: Versions with body in polypropylene + glass fiber and antibacterial additive; protection cover in different colors and with customized brand; box quantity according to your request; Viton gaskets, "Long life" bearings.

Self-aligning bearings with Solid body: completely closed surface to guarantee the max hygiene.



Square flanged bearing supports

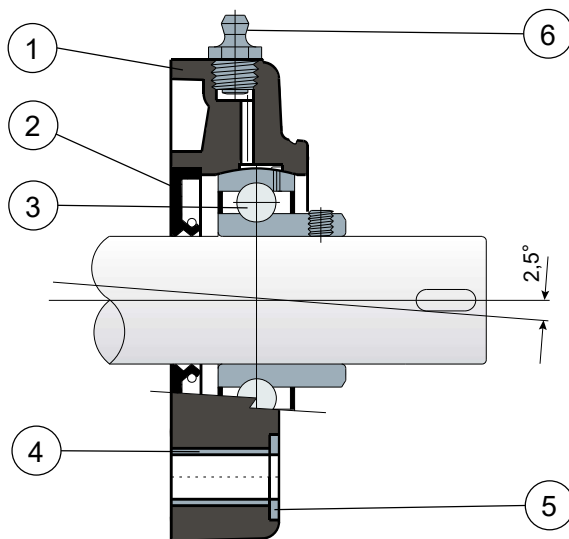
Serie **UCF/CX**
Serie **MUCF/CX**



NEW

New product line with support body in PA white colour.

Without protection cover



- 1) Support body made out of black or white colour polyamide reinforced with glass fibers.
- 2) Back gasket made out of NBR rubber for turning shaft seal.
- 3) Chrome steel or stainless steel bearing AISI 440.
- 4) Spacer for fixing reinforcement made out of stainless steel AISI 304.
- 5) UNI 6592 support washer made out of stainless steel AISI 304.
- 6) Greaser for relubrication made out of nickel-plated brass.

NOTE: The only difference from UCF/C series is lack of protection cover, which can be ordered separately as an accessory.

Support dimensions respect ISO 3228 set of rules.

Maximum shaft alignment error 2,5°

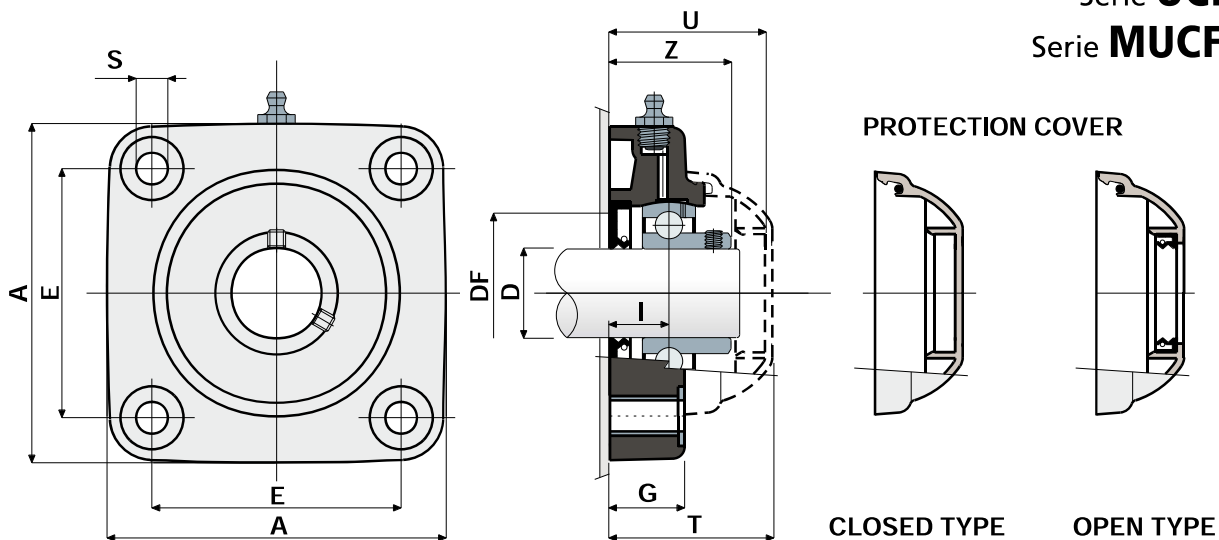
For further information please contact our technical office or sales department.



Square flanged bearing supports

Technical data

Serie **UCF/CX**
Serie **MUCF/CX**



CHROME STEEL BEARING																		
D	SERIE	Support CODES		DIMENSIONS (mm)										Bearing load (N)		Bearing support load	COVER CODES	
		Black colour	White colour	E	A	S	G	I	Z	U	T	DF		C	C0	(N)	Closed type	Open type
20	UCF 204 CX	80252	84612	63,5	90	10,5	19	15,5	33,5	44	46,5	45	40	12800	6600	16500	80254	80255
25	UCF 205 CX	80175	84613	70	99	10,5	22	17	36	47	49	50	45	14000	7800	17000	80075	80076
30	UCF 206 CX	80176	84614	83	113	10,5	26	20	41	54	56	60	50	19500	11300	17500	80011	80053
30	MUCF 206 CX	80789	84615	83	113	10,5	26	20	41	65	68	60	50	19500	11300	17500	80256	80494
35	UCF 207 CX	80177	84616	92	122	10,5	26	20	45	57	59	70	55	25500	15300	18000	80077	80078
35	MUCF 207 CX	83462	84617	83	113	10,5	26	19,5	45	65	68	70	55	25500	15300	18000	80256	80495
40	UCF 208 CX	80253	84618	102	133	10,5	26	19,5	48,5	65	68	78	65	32500	19800	18000	80256	80257
40	MUCF 208 CX	80701	84619	83	113	10,5	26	19,5	48,5	65	68	78	65	32500	19800	18000	80256	80257

STAINLESS STEEL BEARING AISI 440																		
D	SERIE	Support CODES		DIMENSIONS (mm)										Bearing load (N)		Bearing support load	COVER CODES	
		Black colour	White colour	E	A	S	G	I	Z	U	T	DF		C	C0	(N)	Closed type	Open type
20	UCF 204 CX	81047	84620	63,5	90	10,5	19	15,5	33,5	44	46,5	45	40	8300	6550	16500	80254	80255
25	UCF 205 CX	81049	84621	70	99	10,5	22	17	36	47	49	50	45	9150	7800	17000	80075	80076
30	UCF 206 CX	81050	84622	83	113	10,5	26	20	41	54	56	60	50	12500	11200	17500	80011	80053
30	MUCF 206 CX	84042	84623	83	113	10,5	26	20	41	65	68	60	50	19500	11300	17500	80256	80494
35	UCF 207 CX	81051	84624	92	122	10,5	26	20	45	57	59	70	55	16600	15300	18000	80077	80078
35	MUCF 207 CX	82404	84625	83	113	10,5	26	19,5	45	65	68	70	55	16600	15300	18000	80256	80495
40	UCF 208 CX	80561	84626	102	133	10,5	26	19,5	48,5	65	68	78	65	20000	19000	18000	80256	80257
40	MUCF 208 CX	81043	84627	83	113	10,5	26	19,5	48,5	65	68	78	65	20000	19000	18000	80256	80257

VERSIONS WITH MEASURES IN INCHES

CHROME STEEL BEARING																			
D	SERIE	Support CODES		DIMENSIONS (mm)										Bearing load (N)		Bearing support load	COVER CODES		
		Black colour	White colour	E	A	S	G	I	Z	U	T	DF		C	C0	(N)	Closed type	Open type	
1"	25,4	UCF 205 CX	84493	84883	70	99	10,5	22	17	36	47	49	50	45	9150	7800	17000	80075	85202
1 1/4"	31,75	UCF 206 CX	84494	84884	83	113	10,5	26	20	41	54	56	60	50	12500	11200	17500	80011	85203
1 1/4"	31,75	MUCF 206 CX	84495	85182	83	113	10,5	26	20	41	65	68	60	50	19500	11300	17500	80256	85204

MATERIALS: Support made out of PA + glass fiber black or white colour; chrome steel or stainless steel bearing; greaser made out of nickel plated brass; reinforcement bushings and washers made out of stainless steel AISI 304; gaskets made out of NBR rubber; cover made out of polypropylene, grey colour RAL 7042.

FEATURES: The difference from UCF/C series is lack of protection cover which can be ordered separately as an accessory. Assembly with not shouldered shafts. Maximum shaft alignment error 2.5°.

BOX QUANTITY: 8 pieces.

ON REQUEST: Versions with body in polypropylene + glass fiber and antibacterial additive; protection cover in different colors and with customized brand; box quantity according to your request; Viton gaskets, "Long life" bearings.

Self-aligning bearings with Solid body: completely closed surface to guarantee the max hygiene.



Square flanged bearing supports

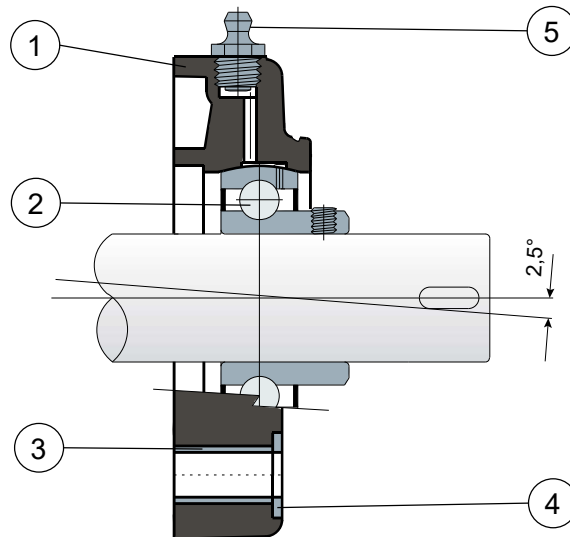
Serie **UCF**
Serie **MUCF**



NEW

New product line with support body in PA white colour.

Without cover and back gasket



- 1) Support body made out of black or white colour polyamide reinforced with glass fibers.
- 2) Chrome steel or stainless steel bearing AISI 440.
- 3) Spacer for fixing reinforcement made out of stainless steel AISI 304.
- 4) UNI 6592 support washer made out of stainless steel AISI 304.
- 5) Greaser for relubrication made out of nickel-plated brass.

NOTE: The only difference from UCF/C series is lack of back gasket and protection cover, which can be ordered separately as accessories.

Support dimensions respect ISO 3228 set of rules.
Maximum shaft alignment error 2,5°

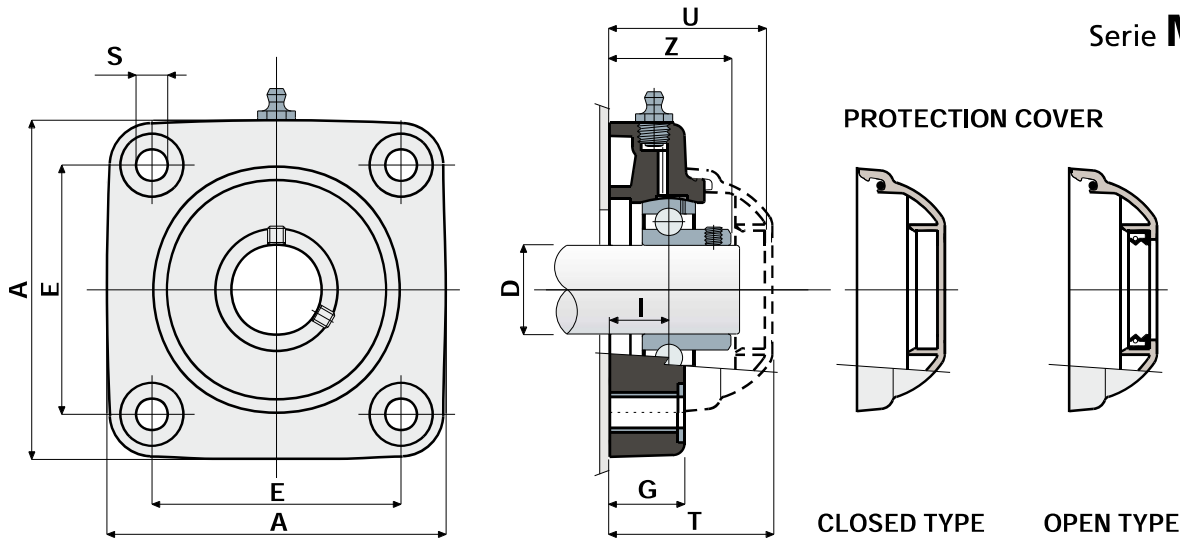
For further information please contact our technical office or sales department.



Square flanged bearing supports

Technical data

Serie **UCF**
Serie **MUCF**



CHROME STEEL BEARING																
D	SERIE	Support CODES		DIMENSIONS (mm)								Bearing load (N)		Bearing support load	COVER CODES	
		Black colour	White colour	E	A	S	G	I	Z	U	T	C	C0	(N)	Closed type	Open type
20	UCF 204	80258	84628	63,5	90	10,5	19	15,5	33,5	44	46,5	12800	6600	16500	80254	80255
25	UCF 205	80054	84629	70	99	10,5	22	17	36	47	49	14000	7800	17000	80075	80076
30	UCF 206	80010	84630	83	113	10,5	26	20	41	54	56	19500	11300	17500	80011	80053
30	MUCF 206	84043	84631	83	113	10,5	26	20	41	65	68	19500	11300	17500	80256	80494
35	UCF 207	80055	84632	92	122	10,5	26	20	45	57	59	25500	15300	18000	80077	80078
35	MUCF 207	82652	84633	83	113	10,5	26	19,5	45	65	68	25500	15300	18000	80256	80495
40	UCF 208	80259	84634	102	133	10,5	26	19,5	48,5	65	68	32500	19800	18000	80256	80257
40	MUCF 208	80712	84635	83	113	10,5	26	19,5	48,5	65	68	32500	19800	18000	80256	80257

STAINLESS STEEL BEARING AISI 440																
D	SERIE	Support CODES		DIMENSIONS (mm)								Bearing load (N)		Bearing support load	COVER CODES	
		Black colour	White colour	E	A	S	G	I	Z	U	T	C	C0	(N)	Closed type	Open type
20	UCF 204	80514	84636	63,5	90	10,5	19	15,5	33,5	44	46,5	8300	6550	16500	80254	80255
25	UCF 205	80515	84637	70	99	10,5	22	17	36	47	49	9150	7800	17000	80075	80076
30	UCF 206	80976	84638	83	113	10,5	26	20	41	54	56	12500	11200	17500	80011	80053
30	MUCF 206	84044	84639	83	113	10,5	26	20	41	65	68	12500	11200	17500	80256	80494
35	UCF 207	81052	84640	92	122	10,5	26	20	45	57	59	16600	15300	18000	80077	80078
35	MUCF 207	83468	84641	83	113	10,5	26	19,5	45	65	68	16600	15300	18000	80256	80495
40	UCF 208	80695	84642	102	133	10,5	26	19,5	48,5	65	68	20000	19000	18000	80256	80257
40	MUCF 208	81045	84643	83	113	10,5	26	19,5	48,5	65	68	20000	19000	18000	80256	80257

VERSIONS WITH MEASURES IN INCHES

CHROME STEEL BEARING																	
D	SERIE	Support CODES		DIMENSIONS (mm)								Bearing load (N)		Bearing support load	COVER CODES		
		Black colour	White colour	E	A	S	G	I	Z	U	T	C	C0	(N)	Closed type	Open type	
1"	25,4	UCF 205	84496	84887	70	99	10,5	22	17	36	47	49	14000	7800	17000	80075	85202
1 1/4"	31,75	UCF 206	84497	84888	83	113	10,5	26	20	41	54	56	19500	11300	17500	80011	85203
1 1/4"	31,75	MUCF 206	84498	85183	83	113	10,5	26	20	41	65	68	19500	11300	17500	80256	85204

MATERIALS: Support made out of PA + glass fiber black or white colour; chrome steel or stainless steel bearing; greaser made out of nickel plated brass; reinforcement bushings and washers made out of stainless steel AISI 304; gaskets made out of NBR rubber; cover made out of polypropylene, grey colour RAL 7042.

FEATURES: The difference from UCF/C series is lack of back gasket and protection cover, which can be ordered separately as accessories. Assembly with shouldered and not shouldered shafts. Maximum shaft alignment error 2.5°.

BOX QUANTITY: 8 pieces.

ON REQUEST: Versions with body in polypropylene + glass fiber and antibacterial additive; protection cover in different colors and with customized brand; box quantity according to your request; Viton gaskets, "Long life" bearings.

Self-aligning bearings with Solid body: completely closed surface to guarantee the max hygiene.



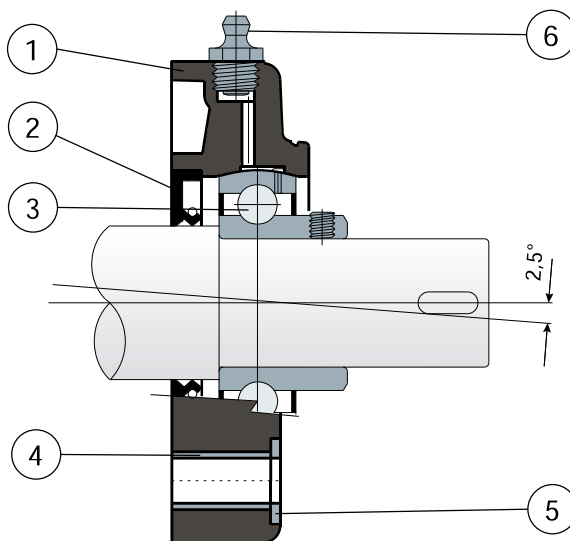
Square flanged bearing supports

Serie **UCF/CS**

Serie **MUCF/CS**



Back gasket for shouldered shaft



- 1) Support body made out of polyamide reinforced with glass fibers.
- 2) Back gasket made out of NBR rubber for turning shaft seal.
- 3) Chrome steel or stainless steel bearing AISI 440.
- 4) Spacer for fixing reinforcement made out of stainless steel AISI 304.
- 5) UNI 6592 support washer made out of stainless steel AISI 304.
- 6) Greaser for relubrication made out of nickel-plated brass.

Support dimensions respect ISO 3228 set of rules.

Maximum shaft alignment error 2,5°

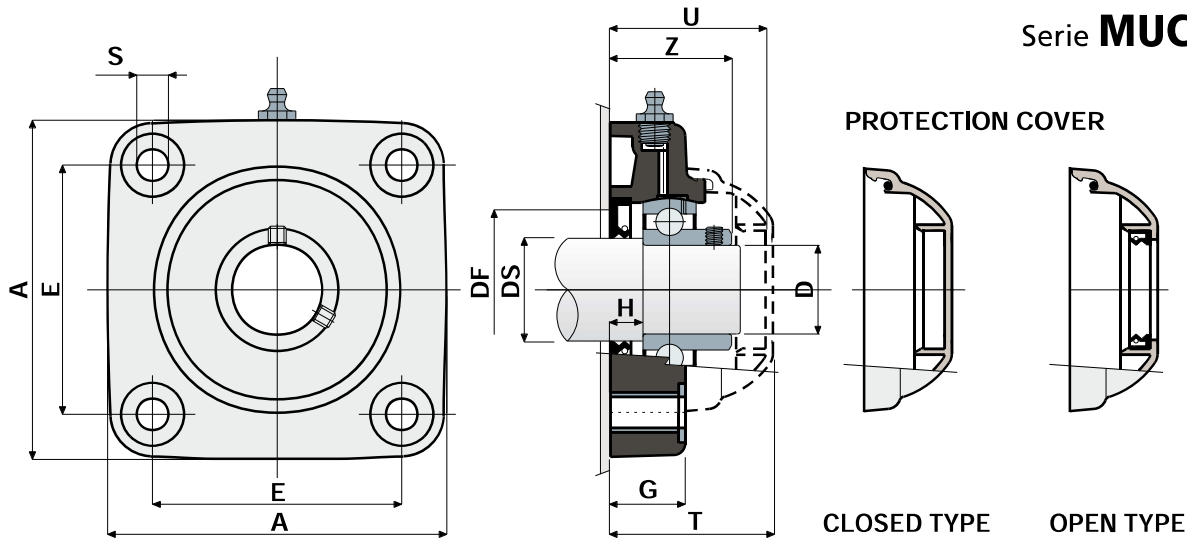
For further information please contact our technical office or sales department.



Square flanged bearing supports

Technical data

Serie **UCF/CS**
Serie **MUCF/CS**



CHROME STEEL BEARING																		
DS	D	SERIE	Support CODES	DIMENSIONS (mm)								Bearing load (N)		Bearing support load	COVER CODES			
				E	A	S	G	H	Z	U	T	DF		C	C0	(N)	Closed type	Open type
25	20	UCF 204 CS	80260	63,5	90	10,5	19	8,5	33,5	44	46,5	45	40	12800	6600	16500	80254	80255
30	25	UCF 205 CS	80178	70	99	10,5	22	10	36	47	49	50	45	14000	7800	17000	80075	80076
35	30	UCF 206 CS	80179	83	113	10,5	26	11,5	41	54	56	60	50	19500	11300	17500	80011	80053
35	30	MUCF 206 CS	84045	83	113	10,5	26	11,5	41	65	68	60	50	19500	11300	17500	80256	80494
40	35	UCF 207 CS	80180	92	122	10,5	26	10,5	45	57	59	70	55	25500	15300	18000	80077	80078
40	35	MUCF 207 CS	84046	83	122	10,5	26	10,5	45	65	68	70	55	25500	15300	18000	80256	80257
45	40	UCF 208 CS	80261	102	133	10,5	26	9	48,5	65	68	78	65	32500	19800	18000	80256	80257
45	40	MUCF 208 CS	80713	83	113	10,5	26	9	48,5	65	68	78	65	32500	19800	18000	80256	80257

STAINLESS STEEL BEARING AISI 440																		
DS	D	SERIE	Support CODES	DIMENSIONS (mm)								Bearing load (N)		Bearing support load	COVER CODES			
				E	A	S	G	H	Z	U	T	DF		C	C0	(N)	Closed type	Open type
25	20	UCF 204 CS	83520	63,5	90	10,5	19	8,5	33,5	44	46,5	45	40	12800	6600	16500	80254	80255
30	25	UCF 205 CS	84146	70	99	10,5	22	10	36	47	49	50	45	14000	7800	17000	80075	80076
35	30	UCF 206 CS	83829	83	113	10,5	26	11,5	41	54	56	60	50	19500	11300	17500	80011	80053
40	35	UCF 207 CS	84147	92	122	10,5	26	10,5	45	57	59	70	55	25500	15300	18000	80077	80078
45	40	UCF 208 CS	80322	102	133	10,5	26	9	48,5	65	68	78	65	32500	19800	18000	80256	80257
45	40	MUCF 208 CS	83828	83	113	10,5	26	9	48,5	65	68	78	65	32500	19800	18000	80256	80257

MATERIALS: Support made out of PA + glass fiber black colour; chrome steel bearing; greaser made out of nickel plated brass; reinforcement bushings and washers made out of stainless steel AISI 304; gaskets made out of NBR rubber; cover made out of polypropylene, grey colour RAL 7042.

FEATURES: Back gasket for shouldered shafts. Use of shouldered shafts allows a higher capability of axial load. Maximum shaft alignment error 2.5°.
BOX QUANTITY: 8 pieces.

ON REQUEST: Versions with body in polypropylene + glass fiber and antibacterial additive (external body in white color); protection cover in different colors and with customized brand; box quantity according to your request; Viton gaskets, "Long life" bearings.

Self-aligning bearings with Solid body: completely closed surface to guarantee the max hygiene.