

G797



PA6
+GF

UL94
HB



KNOB WITH THREADED STUD

Material:

Reinforced polyamide.
Oils and greases resistant.

Surface:

Satin.

Colour:

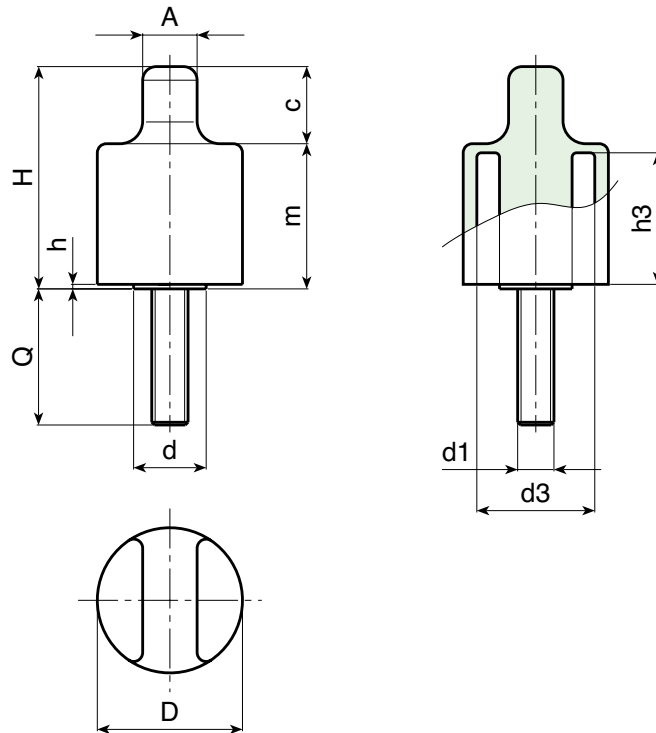
Black (RAL 9011).

Main Insert:

Zinc plated steel threaded stud (tolerance 6g).

SPECIAL REQUESTS:

- It is possible to supply inserts in different lengths or by special design, on request and for quantities.
- It is possible to supply inserts in different materials, on request and for quantities.
- It is possible to supply colours as shown in the table on page G-27, on request and for quantities.



| | art. | D | H | d | A | c | m | h | h3 | d3 | LM | d1 6g | Q | ⚖ g |
|---|------------------|----|----|----|----|----|----|---|----|------|----|-------|----|-----|
| ● | G79732.TM06X2001 | 32 | 49 | 16 | 12 | 15 | 34 | 1 | 29 | 25,5 | 60 | M06 | 20 | 37 |
| ● | G79732.TM08X2501 | 32 | 49 | 16 | 12 | 15 | 34 | 1 | 29 | 25,5 | 60 | M08 | 25 | 43 |
| ● | G79732.TM10X2001 | 32 | 49 | 16 | 12 | 15 | 34 | 1 | 29 | 25,5 | 60 | M10 | 40 | 57 |
| ● | G79732.TM12X2001 | 32 | 49 | 16 | 12 | 15 | 34 | 1 | 29 | 25,5 | 60 | M12 | 20 | 59 |

LM = Maximum mouldable length.

It's possible to have different length, by customers requests. Minimum 150 pieces.

**G - LOCKING
HANDWHEELS**

ver. GUK.14-0616



BOTECA

G - 22

Presumable presence in the stock in %

(🏠) 90% (●) 40% (●) 5% (●)

www.boteco.it - © All right reserved - BOTECA®
Any unauthorized reproduction is strictly forbidden