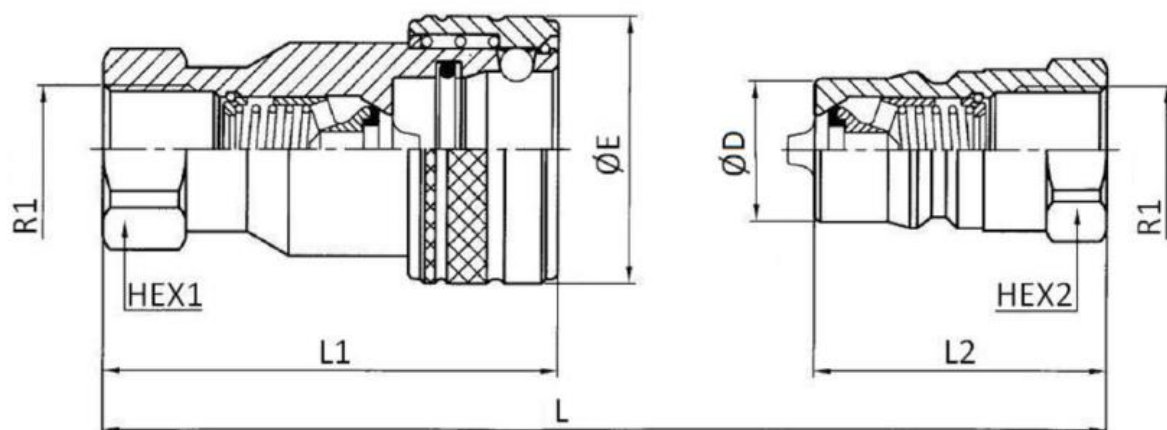


## Dugós hidraulika gyorscsatlakozó ECO – BM BSP

### Quick relase coupling – female BSP



R1	Working Pressure (bar)	ISO size	BG size	Coupling	Water flow (l/min)	L	L1	L2	HEX 1	HEX 2	ØD	ØE
1/4" BSP	345	6,3	1	M	11	71		35,5	19	11,85		
3/8" BSP	275	10	2	M	23	75		36,5	22	17,3		
1/2" BSP	200	12,5	3	M	45	88		43,5	27	20,55		
3/4" BSP	200	20	4	M	105	110		57	35	29,1		
1" BSP	200	25	5	M	189	120		59,5	41	34,35		
1/4" BSP	345	6,3	1	H	11	71	50		19			26
3/8" BSP	275	10	2	H	23	75	56		22			31,5
1/2" BSP	200	12,5	3	H	45	88	66		27			38,5
3/4" BSP	200	20	4	H	105	110	80		34			48
1" BSP	200	25	5	H	189	120	94		41			58