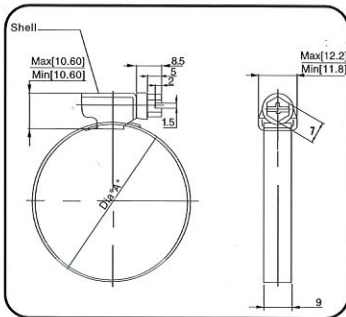


9mm bandwidth

Item no. W1	Item no. W2	Item no. W4	Item no. W5	range (mm)	range (inch)	pcs / bag	pcs / carton	carton size cm
01A90812	01B90812	01B90812	01E90812	8-12	0.31"-0.47"	100	1000	32x27x14
01A91016	01B91016	01D91016	01E91016	10-16	3/8"-5/8"	100	1000	32x27x14
01A91220	01B91220	01D91220	01E91220	12-20	0.47"-3/4"	100	1000	38x27x14
01A91625	01B91625	01D91625	01E91625	16-25	5/8"-1	100	1000	38x27x17
01A92032	01B92032	01D92032	01E92032	20-32	25/32"-11/4"	100	1000	38x27x21
01A92540	01B92540	01D92540	01E92540	25-40	0.98"-1.57"	100	1000	38x27x29
01A93250	01B93250	01D93250	01E93250	32-50	11/4"-2"	50	500	38x27x21
01A94060	01B94060	01D94060	01E94060	40-60	19/16"-2.36"	50	500	38x27x29
01A95070	01B95070	01D95070	01E95070	50-70	2"-23/4"	50	500	38x27x34
01A96080	01B96080	01D96080	01E96080	60-80	2.36"-3.15"	50	500	41x32.5x32
01A97090	01B97090	01D97090	01E97090	70-90	23/4"-3.54"	50	500	40x37x30
01A980100	01B980100	01D980100	01E980100	80-100	3.15"-3.94"	10	250	38x27x24
01A990110	01B990110	01D990110	01E990110	90-110	3.54"-4.33"	10	250	37x27x29
01A9100120	01B9100120	01D9100120	01E9100120	100-120	3.94"-4.72"	10	250	38x27x29
01A9110130	01B9110130	01D9110130	01E9110130	110-130	4.33"-5.12"	10	250	38x27x34
01A9120140	01B9120140	01D9120140	01E9120140	120-140	4.72"-5.51"	10	250	41x32.5x32
01A9130150	01B9130150	01D9130150	01E9130150	130-150	5.12"-5.91"	10	250	40x37x30
01A9140160	01B9140160	01D9140160	01E9140160	140-160	5.51"-6.3"	10	250	40x37x30
01A8150170	01B9150170	01D9150170	01E9150170	150-170	5.91"-6.69"	-	250	41x37x35
01A9160180	01B9160180	01D9160180	01E9160180	160-180	6.3"-7.09"	-	200	40x37x30
01A9170190	01B9170190	01D9170190	01E9170190	170-190	6.69"-7.48"	-	200	41x37x35
01A9180200	01B9180200	01D9180200	01E9180200	180-200	7.09"-7.87"	-	100	38x27x24
01A9190210	01B9190210	01D9190210	01E9190210	190-210	7.48"-8.27"	-	100	38x27x24
01A9200220	01B9200220	01D9200220	01E9200220	200-220	7.87"-8.66"	-	100	38x27x29
01A9210230	01B9210230	01D9210230	01E9210230	210-230	8.27"-9.06"	-	100	38x27x29



	Free Torque Nm	Break Torque Nm
9mm/W1	1	3.5
9mm/W2	1	5.5
9mm/W4	1	5.5
9mm/W5	1	5.5

**Instruction :**

- W1—Galvanized steel
- W2—The screw is galvanized steel , others are AISI 300 series stainless steel
- W4—ALL AISI 300 series stainless steel
- W5—ALL AISI 316 series stainless steel