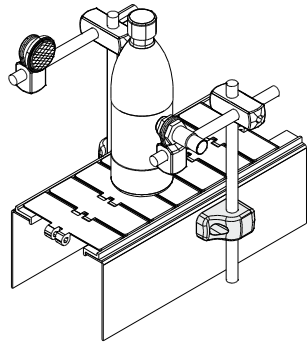
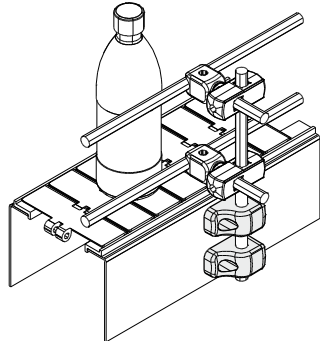


# Clamps

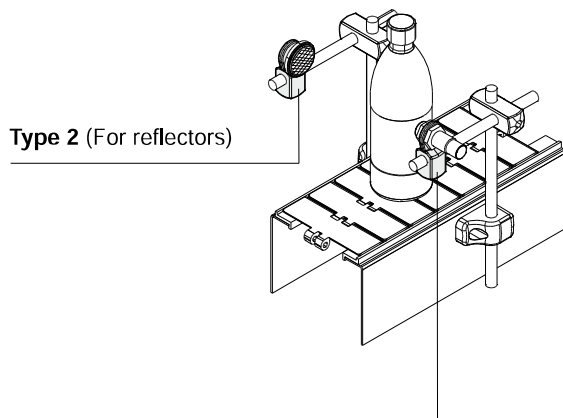


**With blocking pin**  
(Suitable to support photocells)



**Without blocking pin**  
(Suitable to support guide)

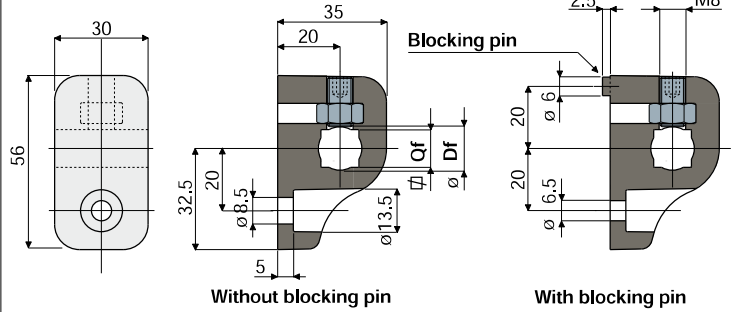
**Example of application**



**Type 2 (For reflectors)**

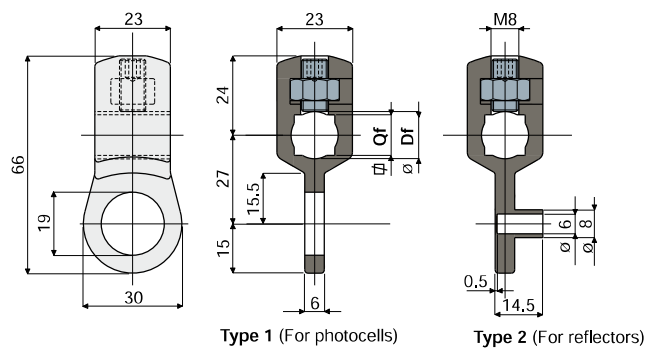
**Type 1 (For photocells)**

**Clamp Part. 237**  
(to support rails and photocells)



Bore for pin of		Without blocking pin	With blocking pin
Df round (mm)	Qf square (mm)	Code	Code
10	8	237 / 80958	237 / 80961
12	10	237 / 80959	237 / 80962
14	12	237 / 80960	237 / 80963

**Clamp support for photocells Part. 240**  
(for photocells and reflectors)



Bore for pin of		Type 1 (for photocells)	Type 2 (for reflectors)
Df round (mm)	Qf square (mm)	Code	Code
10	8	240 / 80996	240 / 80997
12	10	240 / 80998	240 / 80999
14	12	240 / 81000	240 / 81001

**MATERIALS:** Clamp made of reinforced polyamide black colour; screw and nuts made of stainless steel AISI 304.

**FEATURES:** This part can be used with round and square pins either.

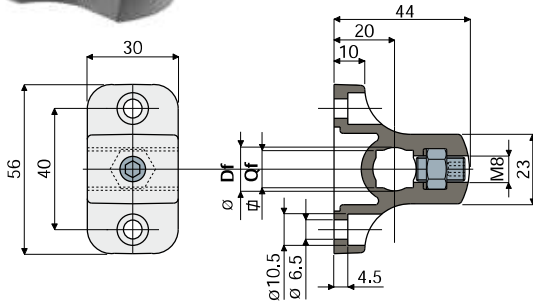
**BOX QUANTITY:** 24 pieces.

**ON REQUEST:**

- Clamps: In reinforced polypropylene, other colours.
- Box Quantity: According to your request.

# Clamps

## Part. 238 "T" clamp (to support rails and photocells)



Bore for pin of		Code
Df round (mm)	Qf square (mm)	
10	8	238 / 80985
12	10	238 / 80986
14	12	238 / 80987

**MATERIALS:** Clamp made of reinforced polyamide black colour; screw and nuts made of stainless steel AISI 304.

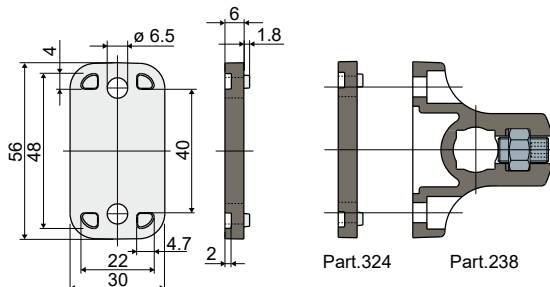
**FEATURES:** This part can be used with round and square pins either.

**BOX QUANTITY:** 24 pieces.

**ON REQUEST:**

- Clamps: With different bores sizes, in reinforced polypropylene, other colours.
- Box Quantity: According to your request.

## Part. 324 Spacer for clamp (for "T" clamp Part. 238)



Code
324 / 82971

**MATERIALS:** Spacer made of reinforced polyamide black colour.

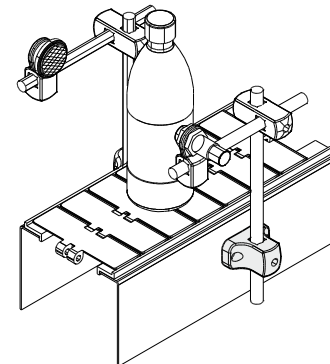
**FEATURES:** Accessory to be applied to "T" clamp Part.238.

**BOX QUANTITY:** 24 pieces.

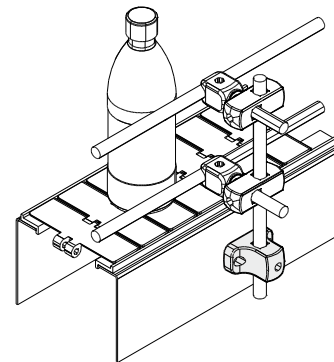
**ON REQUEST:**

- Spacers: In reinforced polypropylene, other colours.
- Box Quantity: According to your request.

### Example of applications

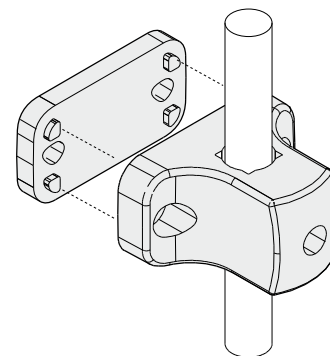


To support photocells



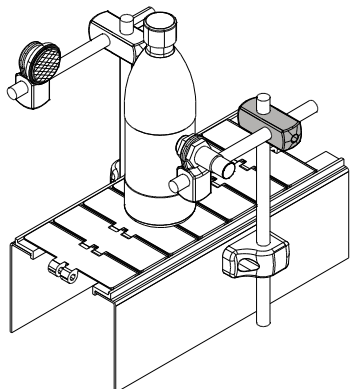
To support guide

### Example of application

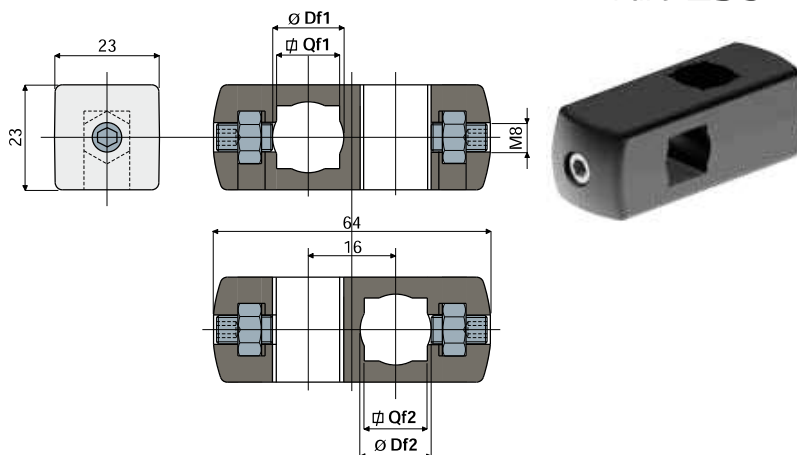


# Clamps

Example of application



## Cross clamp Part. 239



Bore for pin of		Bore for pin of		Code
Df1	Qf1	Df2	Qf2	
round (mm)	square (mm)	round (mm)	square (mm)	
10	8	10	8	239 / 80993
12	10	12	10	239 / 80994
14	12	14	12	239 / 80995

**MATERIALS:** Clamp made of reinforced polyamide black colour; bolts and nuts made of stainless steel AISI 304.

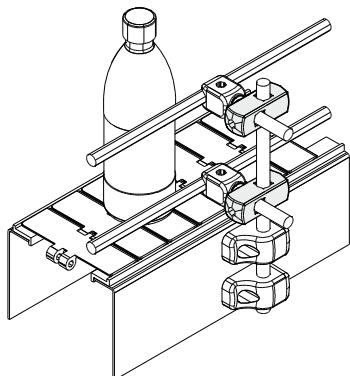
**FEATURES:** This part can be used with round and square pins either.

**BOX QUANTITY:** 24 pieces.

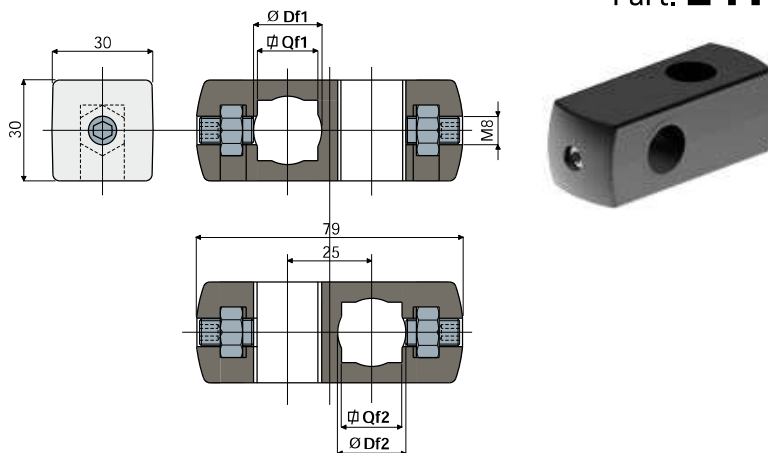
**ON REQUEST:**

- Clamps: With different bores sizes, in reinforced polypropylene, other colours.
- Box Quantity: According to your request.

Example of application



## Cross clamp Part. 241



Bore for pin of		Bore for pin of		Code
Df1	Qf1	Df2	Qf2	
round (mm)	square (mm)	round (mm)	square (mm)	
14	12	14	12	241 / 80988
15	-	15	-	241 / 80989
16	-	16	-	241 / 80990
18	-	18	-	241 / 80991
20	-	20	-	241 / 80992

**MATERIALS:** Clamp made of reinforced polyamide black colour; bolts and nuts made of stainless steel AISI 304.

**FEATURES:** This part can be used with round and square pins either, only in the version Df1 14.

**BOX QUANTITY:** 24 pieces.

**ON REQUEST:**

- Clamps: With different bores sizes, in reinforced polypropylene, other colours.
- Box Quantity: According to your request.