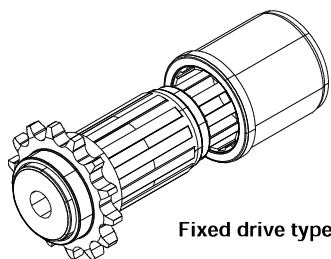
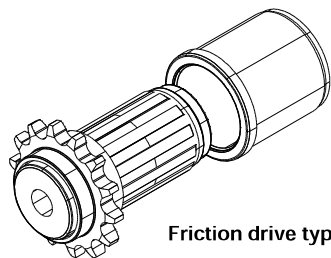


Bearing supports

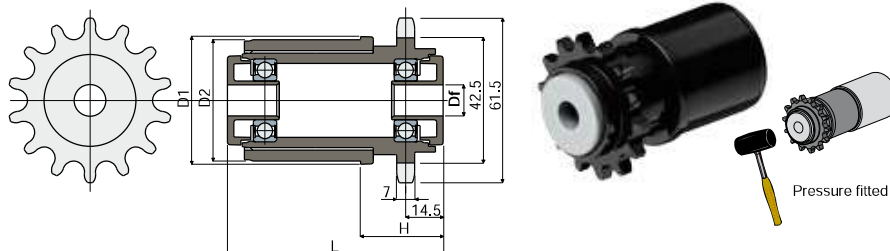


Fixed drive type



Friction drive type

Bearing support for conveyor rollers (for drive roller) Part. 264



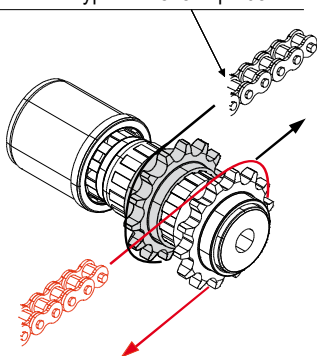
Tube dimensions			Bore for pin of					Fixed drive type	Friction drive type	Bearing type
Outside ø (mm)	Thickness (mm)	Inside ø (mm)	D1 (mm)	D2 (mm)	H (mm)	L (mm)	Df (mm)	Code	Code	
50	1,5	47	50	47	32	83	12	264 / 82033	264 / 82217	6002-2RS
50	1,5	47	50	47	32	83	14	264 / 82215	264 / 82218	6002-2RS
60	1,5	57	60	57	39	83	12	264 / 85074	264 / 84244	6002-2RS
60	1,5	57	60	57	39	83	14	264 / 85075	264 / 84245	6002-2RS
60	2,0	56	60	56	39	83	12	264 / 85076	264 / 84246	6002-2RS
60	2,0	56	60	56	39	83	14	264 / 85077	264 / 84247	6002-2RS
60	2,75	54,5	60	54,5	39	83	12	264 / 85078	264 / 84251	6002-2RS
60	2,75	54,5	60	54,5	39	83	14	264 / 85079	264 / 84253	6002-2RS

MATERIALS: Bearing support with protective shield made of polyamide grey colour; external bushing made of polyamide black colour; bearing made of chrome steel.
FEATURES: To be inserted in the tube sides to build a roller conveyor. Drive sprocket with 14 teeth for roller chain type DIN 8187-08-b1.
BOX QUANTITY: 24 pieces.

ON REQUEST:

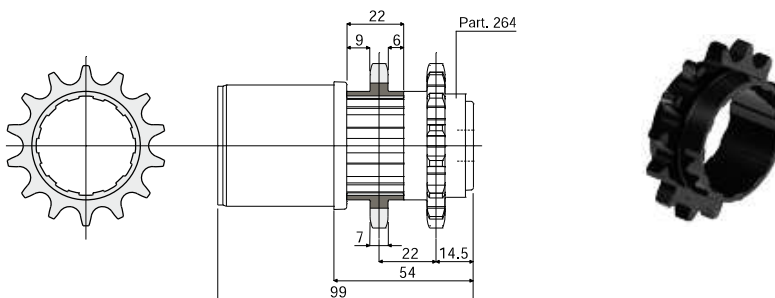
- Bearing supports: other colours, bores with different sizes.
- Box Quantity: According to your request.

Roller chain type DIN 8187 tipo 08-B1



Example of assembly

14 teeth sprocket Part. 265 (for bearing support Part. 264)



Code
265 / 82034

MATERIALS: Drive sprocket is made of polyamide black colour.
FEATURES: Accessory to be used with bearing support Part.264 to make the drive roller to roller. This drive type allows a greater torque.
BOX QUANTITY: 24 pieces.

ON REQUEST:

- Sprockets: other colours.
- Box Quantity: According to your request.