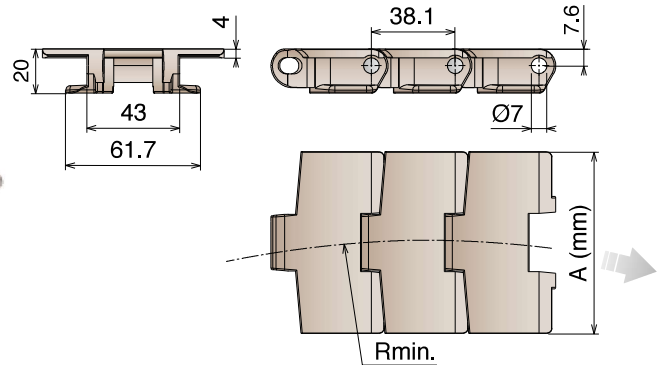
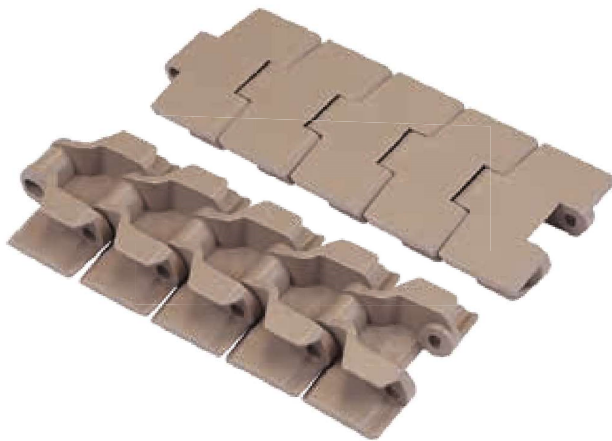


880 TAB

Catene in plastica / Plastic chains / Scharnierbandketten aus Kunststoff

880 TAB Catena curvilinea Sideflexing chain / Kurvengängige Scharnierbandkette

Pins: Stainless Steel | Backflex radius min.: 40 mm



Tab System

10 feet
3,048 m
80 links

pg. 90-91

pg. 157/162

pg. 464->471

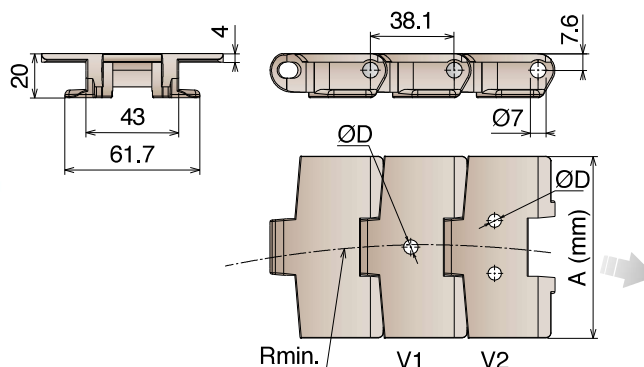
Article-Nr.	Ref.	A (Plate Width) mm	R mm	Weight kg/m	Max working load (N)	Material
11110102	LF 880 TAB K325	82,5	500	1,015	2200	LF
11110103	LF 880 TAB K330	83,8	457	1,018		
11110105	LF 880 TAB K450	114,3	457	1,09		
11110302	MX 880 TAB K325	82,5	500	1,015	1750	MX
11110303	MX 880 TAB K330	83,8	457	1,018		
11110305	MX 880 TAB K450	114,3	457	1,09		
11112502	MPX 880 TAB K325	82,5	500	1,015	2200	MPX
11112503	MPX 880 TAB K330	83,8	457	1,018		
11112505	MPX 880 TAB K450	114,3	457	1,09		
11111602	DKM 880 TAB K325	82,5	500	1,015	2200	DKM
11111603	DKM 880 TAB K330	83,8	457	1,018		
11111605	DKM 880 TAB K450	114,3	457	1,09		
11111702	MWX 880 TAB K325	82,5	500	1,015	2200	MWX
11111703	MWX 880 TAB K330	83,8	457	1,018		
11111705	MWX 880 TAB K450	114,3	457	1,09		

880 V TAB-880 TAB Plastic pin

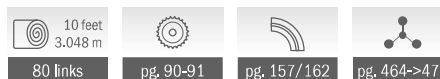
Catene in plastica / Plastic chains / Scharnierbandketten aus Kunststoff

880 V TAB *Catena curvilinea Sideflexing chain / Kurvengängige Scharnierbandkette*

Pins: Stainless Steel | Backflex radius min.: 40 mm



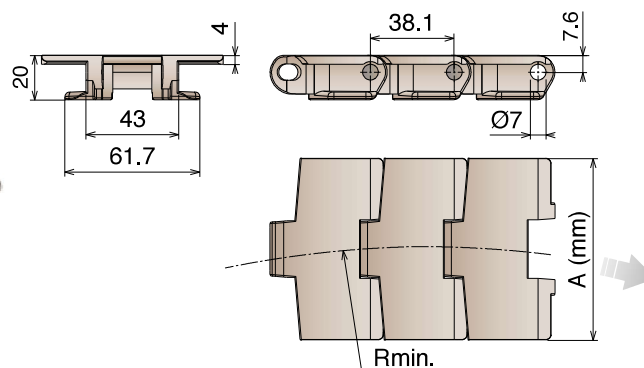
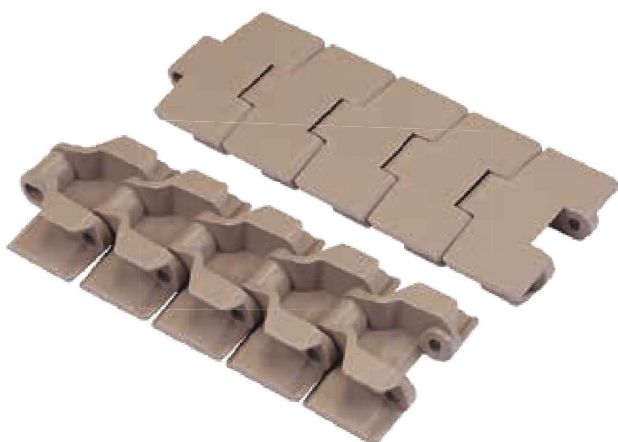
Tab System



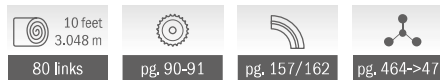
Article-Nr.	Ref.	A (Plate Width) mm	R mm	Weight kg/m	D mm	Max working load (N)	Material
11560102	LF 880 V1 K325	82,5	500	1,015			
11570102	LF 880 V2 K325	82,5	500	1,015	6,5	2200	LF
11570105	LF 880 V2 K450	114,3	457	1,09			

880 TAB *Plastic pin Catena curvilinea con perno in plastica Sideflexing chain with plastic pin / Kurvengängige Scharnierbandkette mit plastic bolzen*

Pins: Plastic | Backflex radius min.: 40 mm



Tab System

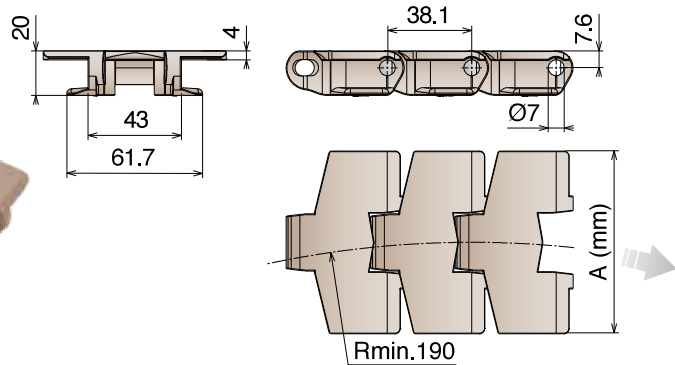


Article-Nr.	Ref.	A (Plate Width) mm	R mm	Weight kg/m	Max working load (N)	Material
11660102	LF 880 TAB K325	82,5	500	0,815	550	LF
11660105	LF 880 TAB K450	114,3	457	0,89		

880 TAB BO

Catena curvilinea
Sideflexing chain / Kurvengängige Scharnierbandkette

Pins: Stainless Steel | Backflex radius min.: 40 mm



Tab System

10 feet
3.048 m
80 links

pg. 90-91

pg. 157/162

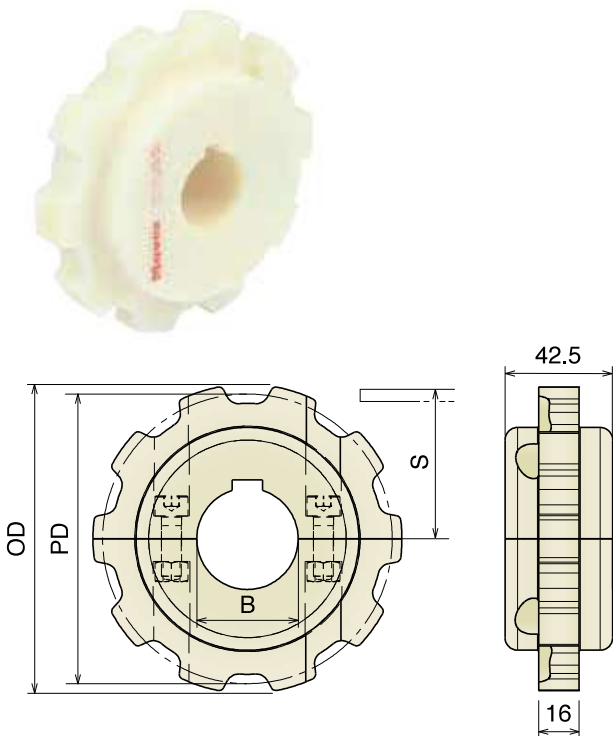
pg. 464->471

Article-Nr.	Ref.	A (Plate Width) mm	R mm	Weight kg/m	Max working load (N)	Material
11260102	LF 880 TAB BO K325	82,5	190	0,96	1680	LF
11260105	LF 880 TAB BO K450	114,3	190	1,10		
11260302	MX 880 TAB BO K325	82,5	190	0,96	1350	MX
11260305	MX 880 TAB BO K450	114,3	190	1,10		

880 Ruota traino divisa, fresata

Split drive sprocket, machined / geteiltes Antriebskettenrad gefräst

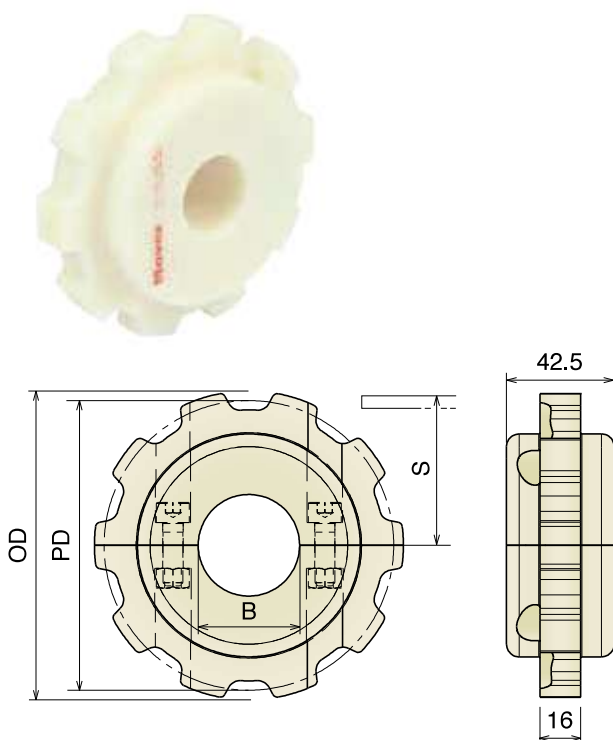
Also suitable for Series 828 - 878 - 879 M - 879 TAB



Part	Article-Nr.	Z-	Bore	PD	OD	S
545	54501	9	25	111,4	110,0	59,3
545	54502		30			
545	54503		35			
545	54504		40			
546	54601	10	25	123,3	122,0	65,25
546	54602		30			
546	54603		35			
546	54604		40			
547	54701	11	25	135,2	135,0	71,2
547	54702		30			
547	54703		35			
547	54704		40			
548	54801	12	25	147,2	147,3	77,2
548	54802		30			
548	54803		35			
548	54804		40			

Ruota rinvio divisa, fresata

Split idler sprocket, machined / geteiltes Umlenkrad, gefräst



Part	Article-Nr.	Z-	Bore	PD	OD	S
545	54550	9	18*	111,4	110,0	59,3
545	54551		25			
545	54552		30			
545	54553		35			
545	54554		40			
546	54650	10	18*	123,3	122,0	65,25
546	54651		25			
546	54652		30			
546	54653		35			
546	54654		40			
547	54750	11	18*	135,2	135,0	71,2
547	54751		25			
547	54752		30			
547	54753		35			
547	54754		40			
548	54850	12	18*	147,2	147,3	77,2
548	54851		25			
548	54852		30			
548	54853		35			
548	54854		40			

*Plain Bore

Materiale / Material / Materialien:

Poliamide rinforzato / Polyamide reinforced / Verstärktes Polyamid
 Viti: Acciaio inox / Screws: Stainless steel / Schrauben: Edelstahl
 Dadi: Ottone nichelato / Nuts: Nickel plated brass / Mutter: Messing

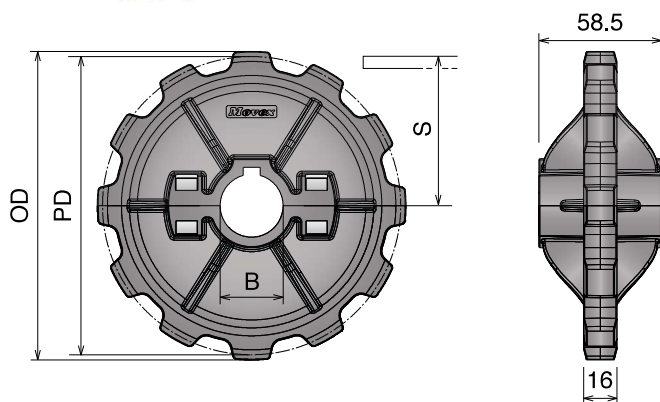
880 Ruota traino divisa, stampata
 Split drive sprocket, molded / geteiltes Antriebskettenrad, gespritzt

Also suitable for Series 828 - 878 - 879 M - 879 TAB



Part	Article-Nr.	Z-	Bore	PD	OD	S
549	54901	10	25	123,3	122,0	65,25
549	54902		30			
549	54903		35			
549	54904		40			
550	55001	12	25	147,2	147,3	77,2
550	55002		30			
550	55003		35			
550	55004		40			

Improved Design and Performance

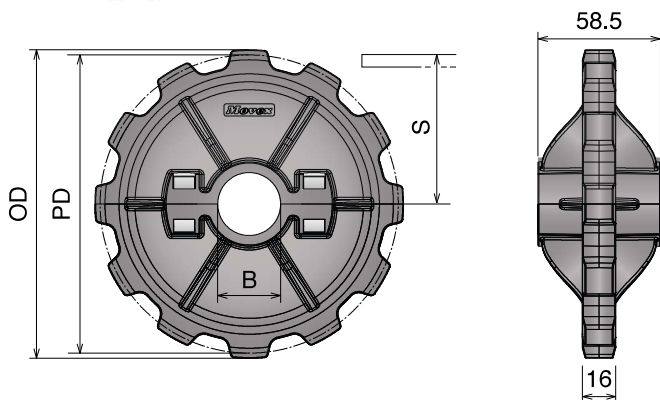


Ruota rinvio divisa, stampata
 Split idler sprocket, molded / geteiltes Umlenkrad, gespritzt



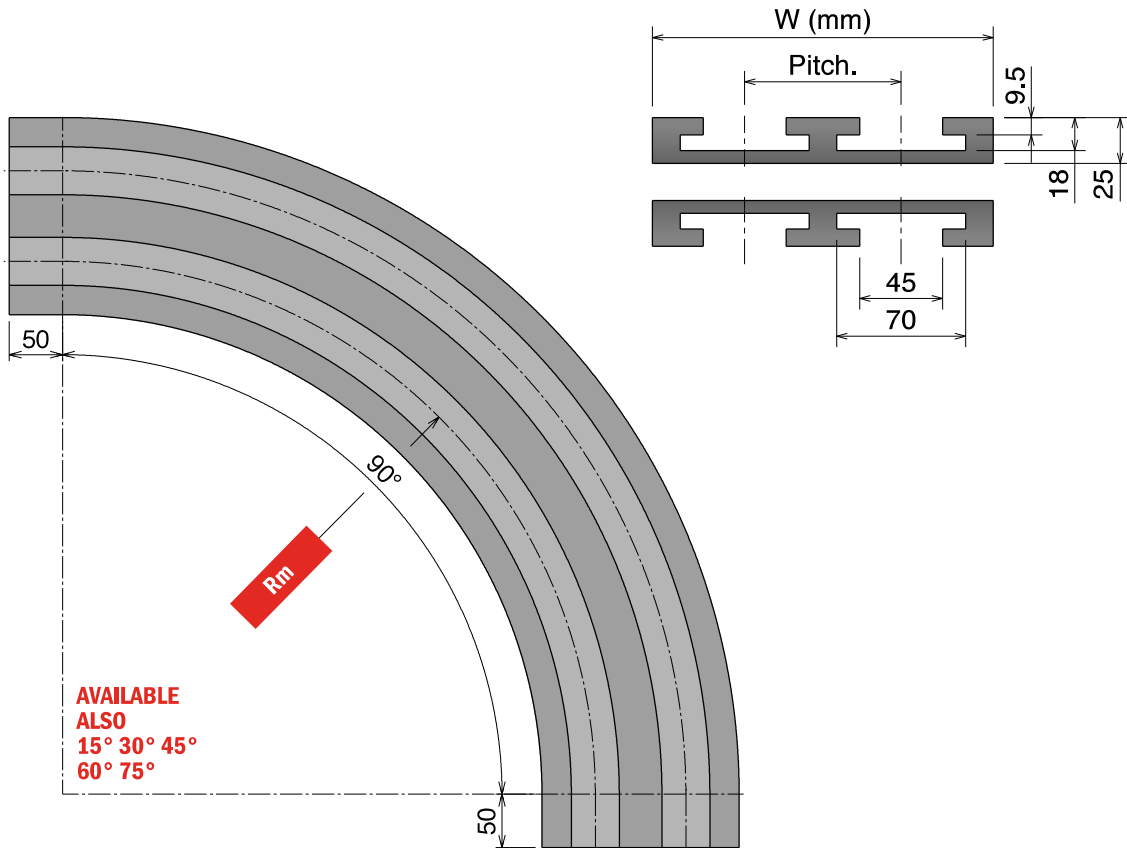
Part	Article-Nr.	Z-	Bore	PD	OD	S
549	54951	10	25	123,3	122,0	65,25
549	54952		30			
549	54953		35			
549	54954		40			
550	55051	12	25	147,2	147,3	77,2
550	55052		30			
550	55053		35			
550	55054		40			

Improved Design and Performance




878-880-881 TAB

Chain Reference 878 TAB - K325/K450 880-881 TAB - K325/K450/K750 260 TAB - K330/K450



Tab System

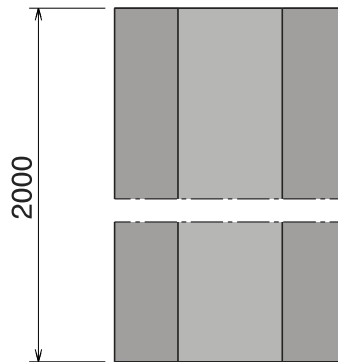
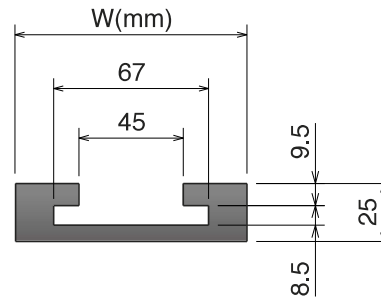
Upper part available, on request,
 also in **BluLub**®
 and for abrasive applications.

Part	Rm 500	Rm 610	Rm 800	Rm 1000	Tracks	W	Pitch	Material
K325								
720	72021612	72023612	72027612	72029612	1	100	85	 Standard codes on table add "B" for BluLub ® add "C" for abrasive
720	72021622	72023622	72027622	72029622	2	185		
720	72021632	72023632	72027632	72029632	3	270		
720	72021642	72023642	72027642	72029642	4	355		
720	72021652	72023652	72027652	72029652	5	440		
720	72021662	72023662	72027662	72029662	6	525		
K450								
721	72121612	72123612	72127612	72129612	1	130	120	
721	72121622	72123622	72127622	72129622	2	250		
721	72121632	72123632	72127632	72129632	3	370		
721	72121642	72123642	72127642	72129642	4	490		
721	72121652	72123652	72127652	72129652	5	610		
721	72121662	72123662	72127662	72129662	6	730		
K750								
722	72221612	72223612	72227612	72229612	1	200	195	
722	72221622	72223622	72227622	72229622	2	395		
722	72221632	72223632	72227632	72229632	3	590		
722	72221642	72223642	72227642	72229642	4	785		

878-880-881 TAB *Straight track section*

Chain Reference

880-881 TAB - K325/K450/K750



Tab System

Upper part available, on request,
 also in **BluLub®**
 and for abrasive applications.

Part	Article-Nr.	W	Length	Material
K325				
790	79023010	100	2000	 Standard codes on table
K450				
790	79024010	130	2000	 add " B " for BluLub®
K750				
790	79026010	200	2000	 add " C " for abrasive

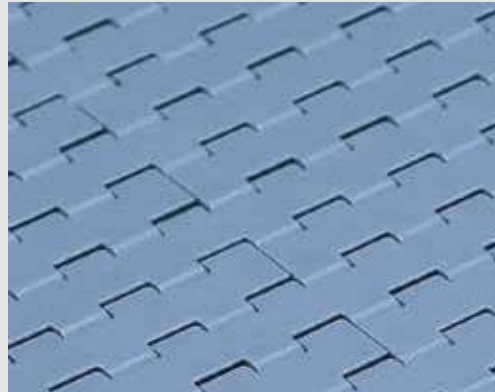
Material Chemical Resistances

Chemical Agent up to 65°C	Polyamide	Steel	Stainless Steel Aisi 304	Stainless Steel Aisi 430	LF	MX	UHMW PE	PP/PPX
Acetone	G	U	G	G	G	A	G	G
Acetic acid (max 5%)	U	U	G	U	U	G	G	G
Alcohol	G	G	G	G	G	G	G	G
Ammonia	G	A	G	G	U	A	G	G
Beer	G	G	G	G	G	G	G	G
Benzene	G	G	G	G	G	U	A	G
Benzol	G	G	G	G	G	G	G	A
Carbon tetrachloride	G	A	A	A	G	/	A	U
Chocolat	A	G	G	G	G	G	A	G
Citric acid	A	U	G	A	A	G	G	G
Formic acid	U	G	G	G	G	A	G	/
Fresh water	G	U	G	G	G	G	G	G
Fruit juices	G	U	G	A	G	G	G	G
Hydrochloric acid (max 2%)	U	U	U	U	U	A	A	G
Hydrogen peroxide	U	U	G	A	U	/	A	/
Iodine	U	A	A	A	A	/	A	/
Lactic acid	G	U	G	U	G	G	G	G
Milk	G	G	G	G	G	G	G	G
Mustard	A	G	G	G	A	/	A	G
Nitric acid	U	U	G	A	U	U	A	G
Oil (vegetable or mineral)	G	G	G	G	G	U	G	G
Paraffin	G	G	G	G	G	G	G	/
Petrol	G	G	G	G	G	G	A	G
Phosphoric acid (max 10%)	U	U	G	U	U	U	G	G
Sea water	U	A	G	A	G	G	G	G
Soap and water	G	A	G	G	G	G	G	G
Sodium hydrochloride	G	U	A	U	G	A	G	G
Sodium hydroxide (max 25%)	G	U	G	G	U	U	G	/
Sodium hypochlorite	G	U	U	U	U	A	G	G
Soft Drinks	G	G	G	G	G	G	G	G
Spirits	G	G	G	G	G	G	G	G
Sulphide acid	U	U	U	U	U	G	U	G
Toluene	U	U	U	U	G	G	A	G
Turpentine	U	G	G	G	U	G	A	/
Vegetable juices	G	A	G	G	G	G	G	G
Vinegar	G	U	A	U	G	G	G	G
Whisky	G	G	G	G	G	G	G	G
Wine	G	G	G	G	G	G	G	G
Xilol	U	U	U	U	U	G	U	U

LEGENDA

G: Good / A: Average / U: Unsatisfactory

LF-LFA



Materials

Description

Low friction Acetal Resin.

This material can be used in all common applications.

Colour: Light Brown for Chains, RAL 5014 for Belts.

Primary Components: POM

General information

Material abbreviation	Material	Chemical abbreviation	Allowable application temperatures						FDA Approval
			Fahrenheit			Celsius			
			Min	Max		Min	Max		
				Dry	Wet		Dry	Wet	
LF	Low friction acetal	POM	-40	176	149	-40	80	65	YES
LFA	Low friction acetal	POM	-40	176	149	-40	80	65	YES

Friction Factors Between Material and Product

Lubrication	Product Material					
	Paper & carton	Metal (steel)	Aluminium	Plastics & PET	Glass (returnable)	Glass (new)
Dry	0,28	0,25	0,25	0,21	0,24	0,20
Water	n.a.	0,20	0,18	0,16	0,18	0,15
W&s & Dry lube	n.a.	0,15	0,14	0,13	0,14	0,12
Oil	n.a.	0,10	n.a.	n.a.	n.a.	n.a.

Friction Factors Between Material and Product

Lubrication	Wearstrip Material		
	Stainless steel	UHMW-PE & PA	BluLub®
Dry	0,24	0,20	0,18
Water	0,19	0,16	0,14
W&s & Dry lube	0,15	0,10	0,10
Oil	0,10	0,10	0,10

Note

Material properties and performance of final product are subject to variation according to operating conditions, e.g. environmental conditions, chemicals, cleanliness.

MX



Materials

Description

Extra Performance material (PBT with additives) with a very low coefficient of friction and improved wear resistance. Recommended for high speed and dry running applications.

Colour: Grey (RAL 7024)

Primary Components: PBT

General information

Material abbreviation	Material	Chemical abbreviation	Allowable application temperatures						FDA Approval
			Fahrenheit			Celsius			
			Min	Max		Min	Max		
				Dry	Wet		Dry	Wet	
MX	Performance PBT	PBT	-40	248	140	-40	120	60	YES

Friction Factors Between Material and Product

Lubrication	Product Material					
	Paper & carton	Metal (steel)	Aluminium	Plastics & PET	Glass (returnable)	Glass (new)
Dry	0,20	0,18	0,15	0,13	0,14	0,12
Water	n.a.	0,16	0,14	0,12	0,13	0,12
W&s & Dry lube	n.a.	0,13	0,12	0,10	0,11	0,10
Oil	n.a.	0,10	n.a.	n.a.	n.a.	n.a.

Friction Factors Between Material and Product

Lubrication	Wearstrip Material		
	Stainless steel	UHMW-PE & PA	BluLub®
Dry	0,20	0,16	0,13
Water	0,17	0,11	0,09
W&s & Dry lube	0,14	0,09	0,08
Oil	0,10	0,10	0,10

Note

Material properties and performance of final product are subject to variation according to operating conditions, e.g. environmental conditions, chemicals, cleanliness.

MPX



Materials

Description

High performance Material with a low coefficient of friction.

This material can increase wear life 25% over LF material.

Colour: Brown

Primary Components: POM

General information

Material abbreviation	Material	Chemical abbreviation	Allowable application temperatures						FDA Approval
			Fahrenheit			Celsius			
			Min	Max		Min	Max		
				Dry	Wet		Dry	Wet	
MP	Lucricated Acetal	POM	-40	176	149	-40	80	65	YES

Friction Factors Between Material and Product

Lubrication	Product Material					
	Paper & carton	Metal (steel)	Aluminium	Plastics & PET	Glass (returnable)	Glass (new)
Dry	0,24	0,22	0,21	0,19	0,21	0,16
Water	n.a.	0,19	0,17	0,15	0,17	0,14
W&s & Dry lube	n.a.	0,15	0,14	0,13	0,13	0,12
Oil	n.a.	0,10	n.a.	n.a.	n.a.	n.a.

Friction Factors Between Material and Product

Note

Material properties and performance of final product are subject to variation according to operating conditions, e.g. environmental conditions, chemicals, cleanliness.

DKM



Materials

Description

Aramide reinforced acetal material

It's commonly used in dry running glass handling applications.

Colour: Grey

Primary Component: POM

General information

Material abbreviation	Material	Chemical abbreviation	Allowable application temperatures						FDA Approval
			Fahrenheit			Celsius			
			Min	Max		Min	Max		
				Dry	Wet		Dry	Wet	
DKM	Aramide reinforced acetal	POM	-40	176	149	-40	80	65	-

Friction Factors Between Material and Product

Lubrication	Product Material					
	Paper & carton	Metal (steel)	Aluminium	Plastics & PET	Glass (returnable)	Glass (new)
Dry	0,21	0,19	0,16	0,20	0,15	0,13
Water	n.a.	0,17	0,15	0,15	0,14	0,13
W&s & Dry lube	n.a.	0,14	0,13	0,13	0,12	0,11
Oil	n.a.	0,10	n.a.	n.a.	n.a.	n.a.

Friction Factors Between Material and Product

Lubrication	Wearstrip Material		
	Stainless steel	UHMW-PE & PA	<i>BluLub</i> ®
Dry	0,21	0,19	0,17
Water	0,18	0,15	0,14
W&s & Dry lube	0,15	0,11	0,11
Oil	0,10	0,10	0,10

Note

Material properties and performance of final product are subject to variation according to operating conditions, e.g. environmental conditions, chemicals, cleanliness.

MWX



Materials

Description

MWX increases wear life

Used in applications where chain is subject to abrasives conditions such as glass sand and dirt.

Colour: Black

Primary Component: Nylon (PA)

General information

Material abbreviation	Material	Chemical abbreviation	Allowable application temperatures						FDA Approval
			Fahrenheit			Celsius			
			Min	Max		Min	Max		
				Dry	Wet		Dry	Wet	
MWX	Polyamid Composite	PA	-40	219	N.R.	-40	104	N.R.	-

Friction Factors Between Material and Product

Lubrication	Product Material					
	Paper & carton	Metal (steel)	Aluminium	Plastics & PET	Glass (returnable)	Glass (new)
Dry	0,24	0,21	0,18	0,15	0,17	0,14
Water	n.a.	0,19	0,17	0,14	0,15	0,14
W&s & Dry lube	n.a.	0,15	0,14	0,12	0,13	0,12
Oil	n.a.	0,10	n.a.	n.a.	n.a.	n.a.

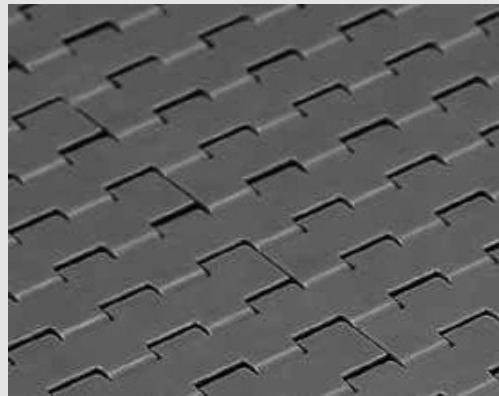
Friction Factors Between Material and Product

Lubrication	Wearstrip Material		
	Stainless steel	UHMW-PE & PA	BluLub®
Dry	0,24	0,19	0,15
Water	0,20	0,13	0,11
W&s & Dry lube	0,17	0,11	0,09
Oil	0,10	0,10	0,10

Note

Material properties and performance of final product are subject to variation according to operating conditions, e.g. environmental conditions, chemicals, cleanliness.

PP



Materials

Description

Polypropylene

for better chemical resistance and higher temperatures.

Colour: Grey

Primary Component: PP

General information

Material abbreviation	Material	Chemical abbreviation	Allowable application temperatures						FDA Approval
			Fahrenheit			Celsius			
			Min	Max		Min	Max		
				Dry	Wet		Dry	Wet	
PP	Polypropylene	PP	40	220	212	4	104	100	YES

Friction Factors Between Material and Product

Lubrication	Product Material					
	Paper & carton	Metal (steel)	Aluminium	Plastics & PET	Glass (returnable)	Glass (new)
Dry	0,40	0,30	0,32	0,28	0,29	0,26
Water	n.a.	0,24	0,26	0,22	0,23	0,21
W&s & Dry lube	n.a.	0,20	0,20	0,18	0,19	0,18
Oil	n.a.	0,10	n.a.	n.a.	n.a.	n.a.

Friction Factors Between Material and Product

Lubrication	Wearstrip Material		
	Stainless steel	UHMW-PE & PA	BluLub®
Dry	0,29	0,24	0,21
Water	0,23	0,19	0,17
W&s & Dry lube	0,19	0,13	0,13
Oil	0,10	0,10	0,10

Note

Material properties and performance of final product are subject to variation according to operating conditions, e.g. environmental conditions, chemicals, cleanliness.

PPX



Materials

Description

Reinforced Polypropylene

for improved heat stability and chemical resistance.

Colour: Green

Primary Component: PP

General information

Material abbreviation	Material	Chemical abbreviation	Allowable application temperatures						FDA Approval
			Fahrenheit			Celsius			
			Min	Max		Min	Max		
				Dry	Wet		Dry	Wet	
PPX	Reinforced Polypropylene	PP	40	220	212	4	104	100	YES

Friction Factors Between Material and Product

Lubrication	Product Material					
	Paper & carton	Metal (steel)	Aluminium	Plastics & PET	Glass (returnable)	Glass (new)
Dry	0,40	0,30	0,32	0,28	0,29	0,26
Water	n.a.	0,24	0,26	0,22	0,23	0,21
W&s & Dry lube	n.a.	0,20	0,20	0,18	0,19	0,18
Oil	n.a.	0,10	n.a.	n.a.	n.a.	n.a.

Friction Factors Between Material and Product

Lubrication	Wearstrip Material		
	Stainless steel	UHMW-PE & PA	BluLub®
Dry	0,29	0,24	0,21
Water	0,23	0,19	0,17
W&s & Dry lube	0,19	0,13	0,13
Oil	0,10	0,10	0,10

Note

Material properties and performance of final product are subject to variation according to operating conditions, e.g. environmental conditions, chemicals, cleanliness.